

## XCD 3,2-4,5/20-35E

The XCD 3,2-4,5/20-35E is Hasselblad's X system wide angle zoom. Offering Hasselblad's widest angle of view, its focal length range provides a 16 to 27mm full frame equivalency, making it perfect for landscape, as well as interior and architectural photography. As part of the XCD lens range, its functionality

perfectly complements the compact X system and 907X camera bodies. The XCD 3,2-4,5/20-35E lens has an updated integral central shutter offering a shutter speed range of 68 minutes to 1/2000th second, with flash synchronisation up to 1/2000th second.

### GENERAL LENS DATA

Focal length	20 (35) mm
Equivalent focal length (24×36)	16 (27) mm
Aperture range	3,2-32 (4,5-32)
Angle of view diag/hor/vert	108°/96°/79° (76°/65°/51°)
Length/diameter	117/81mm
Length (from camera lens mount flange)	112mm
Weight (excl. covers and lens shade)	805g
Filter diameter	77mm
Product number	CP.HB.00000792.01

### CLOSE FOCUS RANGE DATA

Minimum distance object to image plane	0,32m
Maximum image scale	1:10,6 (1:6,4)
Corresponding area of coverage	47×35cm (28×21cm)
Corresponding exposure reduction	0 (0) f-stops

### COMPATIBILITY

- Hasselblad X System & 907X cameras



### LENS DESIGN

- 16 elements in 12 groups
- 3 aspherical elements
- 4 Extra low dispersion elements

### FOCUS TYPE

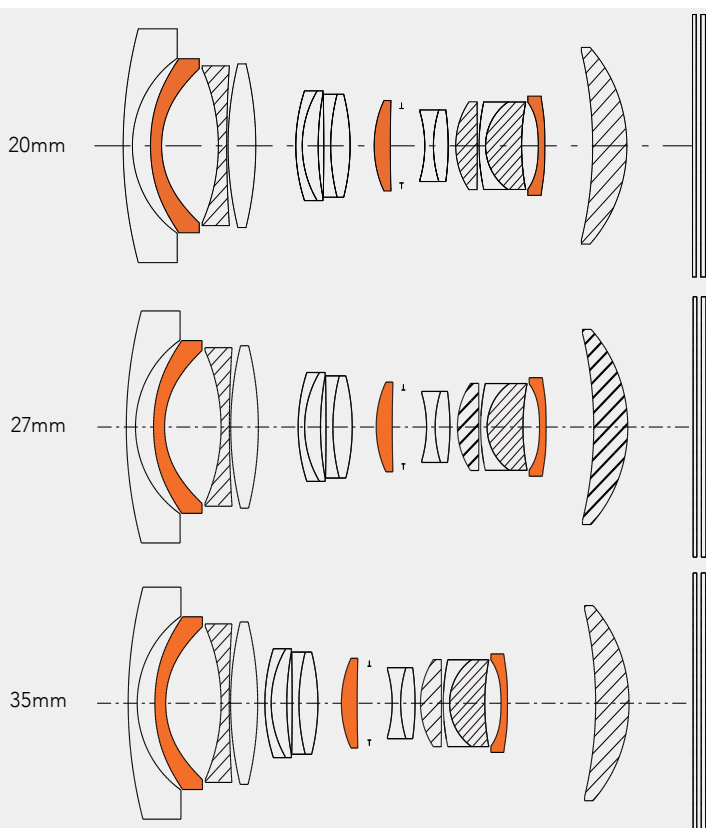
Internal focusing

### ENTRANCE PUPIL POSITION

- @20mm: 109mm in front of image plane
- @35mm: 111mm in front of image plane

The entrance pupil position is the correct position of the axis of rotation when making a panorama image by combining individual images of a scene.

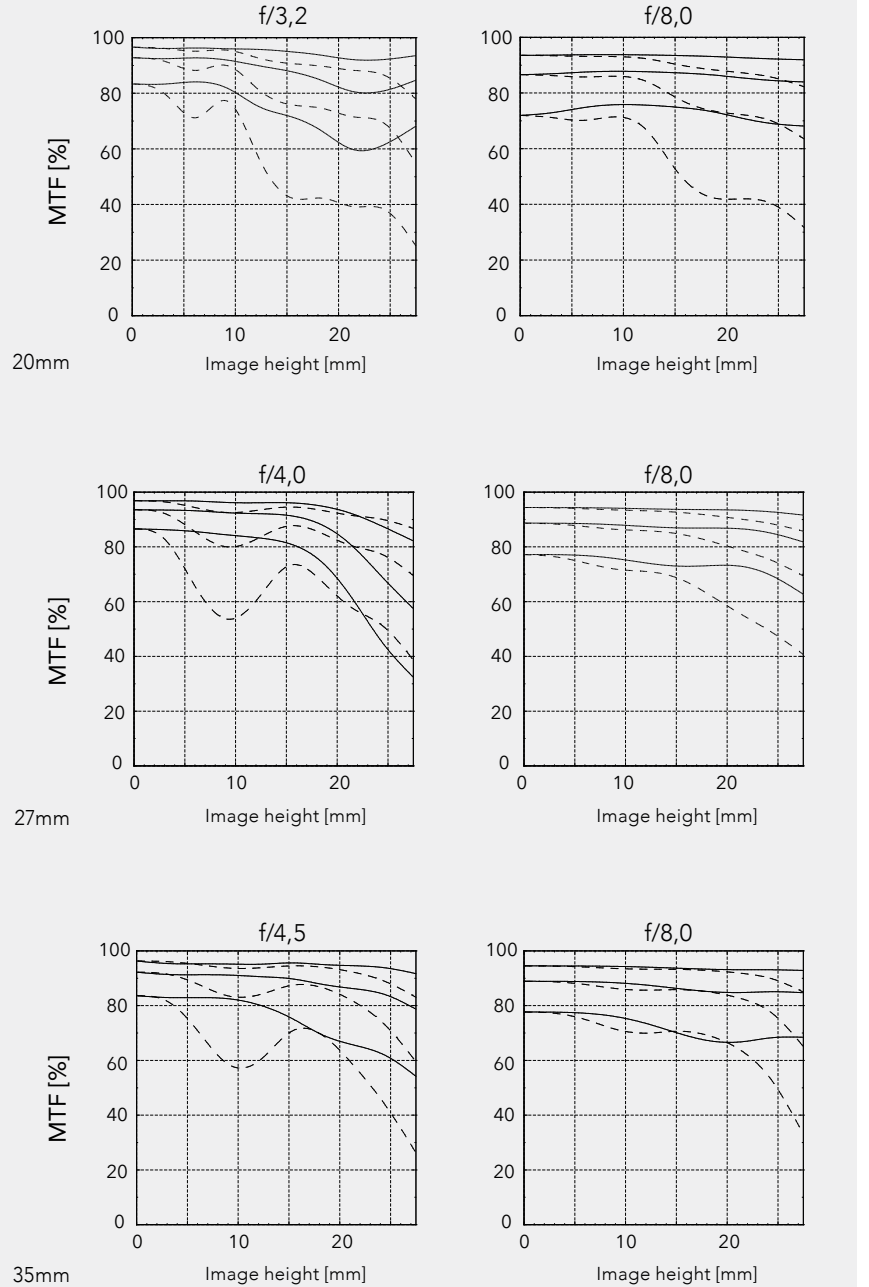
- : Aspherical Lens elements
- ▨ : ED Lens elements



### MTF

Modulation Transfer as a function of image height at infinity setting.

Sagittal slit orientation drawn with continuous line and tangential with dashed. White light. Spatial frequencies 10, 20 and 40 lp/mm.

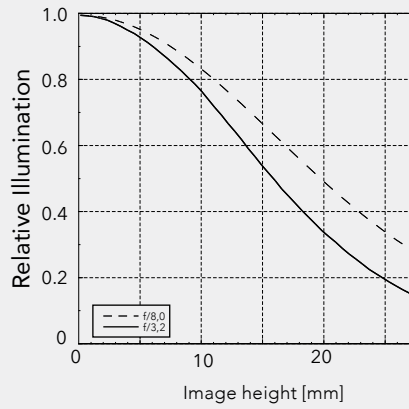


## XCD 3,2-4,5/20-35E

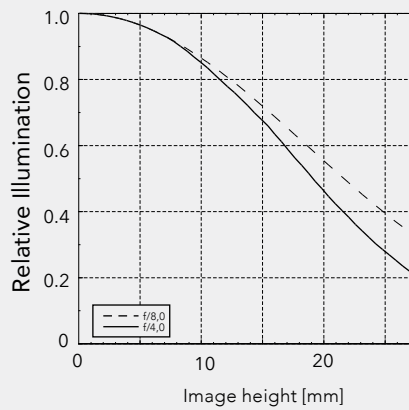
### RELATIVE ILLUMINATION

Infinity setting.

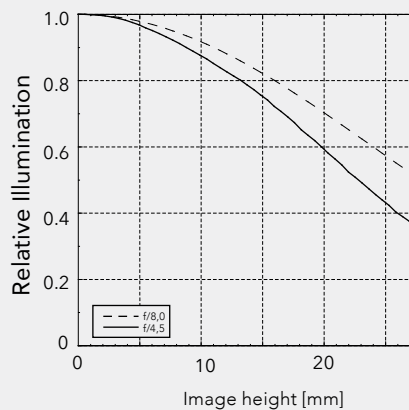
When images are imported to Phocus, light fall-off is automatically removed.



20mm



27mm



35mm

## XCD 3,2-4,5/20-35E

### DISTORTION

Infinity setting.

When images are imported to Phocus, distortion is automatically removed.

