

XCD 2,5/25V

DATASHEET

The XCD 2,5/25V lens features 13 elements in 10 groups, including four aspheric elements and three Extra-low Dispersion (ED) elements. Equivalent to a full frame 20mm focal length, this wide-angle lens delivers top-class optical performance with a compact build and supports an image resolution of over 100 megapixels. Equipped with an upgraded leaf shutter, the XCD 2,5/25V can reach a shutter

speed up to 1/4000s and delivers flash synchronisation at all speeds. The lens has both a focus ring and a lens control ring. Changing between AF and MF is achieved by a convenient push and pull of the focus ring. In MF mode, easily check the focus distance and DOF readings. The control ring can be customised for quick access to your preferred function.

GENERAL LENS DATA

Focal Length	25mm
Equivalent Focal Length (24x36)	20mm
Aperture Range	f/2,5-f/32
Angle of View (diag/hor/vert)	95°/82°/66°
Length/Diameter	105/75mm
Length (from camera lens mount flange)	100mm
Weight (excl. caps and lens shade)	592g
Filter Diameter	72mm

CLOSE FOCUS RANGE DATA

Minimum distance object to image plane	0.25m
Maximum image scale	1:5.8
Corresponding area of coverage	26x19cm
Corresponding exposure reduction	0.1f-stops

COMPATIBILITY

- Hasselblad X System cameras & 907X cameras



LENS DESIGN

- 13 elements in 10 groups
- 4 aspherical elements
- 3 extra-low dispersion elements

FOCUS TYPE

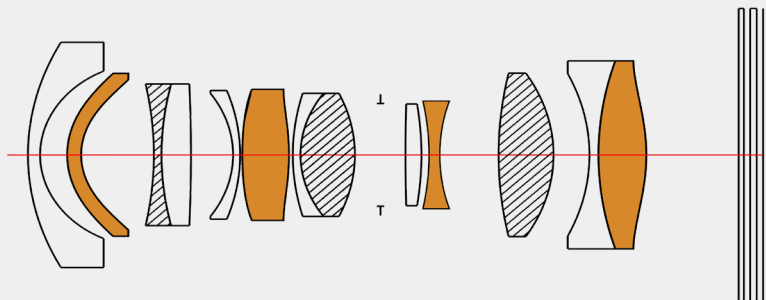
Internal focusing

ENTRANCE PUPIL POSITION

94mm in front of image plane

The entrance pupil position is the correct position of the axis of rotation when making a panorama image by combining individual images of a scene.

- : Aspherical Lens elements
- ▨ : ED Lens elements

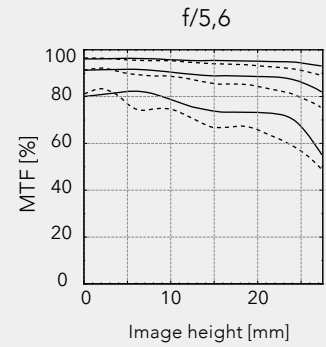
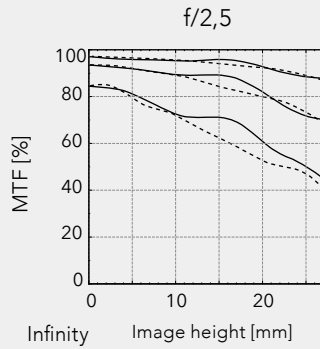


MTF

Modulation Transfer as a function of image height at infinity setting.

Sagittal slit orientation drawn with continuous line and tangential with dashed. White light. Spatial frequencies 10, 20 and 40 lp/mm.

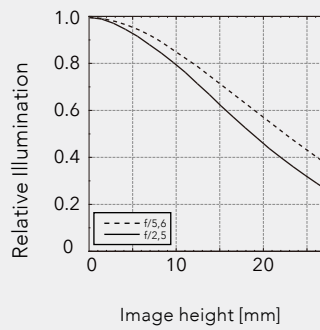
MTF plot data includes diffraction.



RELATIVE ILLUMINATION

Infinity setting.

When images are imported to Phocus, light fall-off is automatically removed.



DISTORTION

Infinity setting.

When images are imported to Phocus, distortion is automatically removed.

