



# **NOKTON 75mm F1.5 Aspherical Z-mount**

INSTRUCTION MANUAL

Thank you for purchasing a Voigtländer product. Voigtländer Z-mount series is a manual focus interchangeable lens which mounts directly to the Nikon Z mount without an adapter.

The optical system is optimized for the image sensor of mirrorless cameras using the Nikon Z mount. The lens mount is equipped with electronic contacts for communication between the lens and camera body. Adding to the functions of Exif information and in-body image stabilization (3 axes), it corresponds to 3 types of focusing support function. [1] by color change of the focus point frame, [2] by focus-peaking, and [3] by the enlargement button) All through the use of the communications compatible body with latest firmware \*1.

## Features of the Z-mount series

- Designed exclusively for Nikon Z mount
- Communication with the body through electronic contacts
- Highly rigid and durable all-metal lens barrel
- Manual focus for reliable fine-focusing

\*1 When using this product, some functions may be restricted depending on the camera's firmware. Please use with the latest firmware.

Please check the Cosina website for the latest information and details.

[www.cosina.co.jp/voigtlander/en/](http://www.cosina.co.jp/voigtlander/en/)



## Tips for lens care and safety

These tips are to protect the user from injury or damaging the lens.



**WARNING**

If the user ignores these warnings and uses the equipment incorrectly, serious injuries and even death may result.



**CAUTION**

If the user ignores this caution sign it might result in injuries and damage the equipment.



**WARNING**

Never look directly at the sun with a telephoto lens as this may damage your eyes.



**CAUTION**

Keep the lens, camera and accessories out of the reach of children.



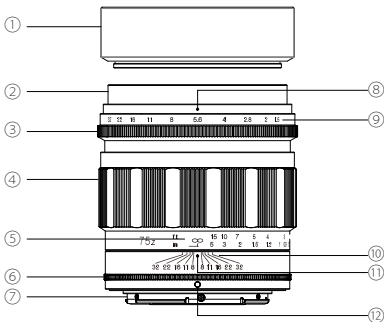
**CAUTION**

Store the lens away from direct sunlight and always store the lens with lens-cap on. Failure to do so may create a fire.

## Description of Parts

---

- ① Lens Hood
- ② Filter Ring
- ③ Aperture Ring
- ④ Focus Ring
- ⑤ Distance Scale
- ⑥ Depth of Field Ring
- ⑦ Mount
- ⑧ Aperture Index
- ⑨ Aperture Scale
- ⑩ Depth of Field Scale
- ⑪ Distance Index
- ⑫ Mount Index



## ● How to attach/detach the lens

Please refer to the instruction manual for your camera for how to Attach/detach the lens.

\* Please make sure to set the power of the camera to "OFF".

Please hold the Depth of Field Ring ⑥ to attach/detach the lens. Attaching/detaching the lens while holding other parts of the lens barrel may damage the lens.

## ● Attaching Lens Hood

Screw the Lens Hood ① to the front of the lens.

## ● Attaching Filter

1. Screw the filter (Ø62mm) to the front of the lens.
2. Screw the Lens Hood ① into the thread of the filter when using the Lens Hood ① together with the filter.

\* Do not screw the filter into the thread of the Lens Hood ①. This may cause vignetting.

## How CPU/Contact works

---

### 1. Exif Data

Image file can store the Exif data of lens.

(For example, if you use Voigtländer 75mm F1.5)

Lens 75mm /f1.5

Focal length 75mm

Maximum Aperture F1.5

Aperture The aperture value you used to take the picture

### 2. Note: lens functioning with the camera body

Please note, that while the display indicates that items can be set for vignette control and automatic distortion correction, this lens does not support those functions. No matter which one is selected, the function will not be reflected in the images.

## ● Specifications

Product Name	NOKTON 75mm F1.5 Aspherical
Focal Length	75mm
Maximum Aperture	F1.5
Minimum Aperture	F32
Lens Construction	6 groups 7 elements
Angle of View	32.6°
Aperture Blades	12
Minimum Focus	0.5m
Macro Ratio	1:4.8
Filter Size	Ø62mm
Maximum Diameter	Approx. Ø74.0mm
Length	Approx. 75.9mm
Weight	Approx. 530g
Lens Hood	Available
Aperture Ring	Available (Manual Setting)(1/3 stop increments)
Focusing Assist Function	Focusing by color change for focus point
	Focusing by peaking function
	Focusing with image magnification button
Supported Sensor Size	Full-frame

\* Specifications and information is subject to change without notice.

## ● Specifications

Electric Contact	Available
Exif Data	Available
In-body image stabilization	Supported (3-axis) * only on camera body with Image Stabilization
Supplied Accessory	Front Cap, Rear Cap, Lens Hood
Mount	Nikon Z mount

\* Specifications and information is subject to change without notice.