

MAINTENANCE

The lenses have anti-reflective coating and are dirt resistant. However, they are not scratch-proof. Use only cleaning agents intended for optics. Larger impurities should be removed first with compressed air or with a clean soft brush.

WARNINGS

The lens is equipped with a seal to protect the interior from dust and moisture. It is not, however, completely waterproof. Do not submerge it in water or store it for extended periods of time in humid places. To achieve better water-tightness, use of the front protective filter is recommended.

Protect the lens from shock, being dropped and excessive vibration, and do not leave the lens in direct sunlight as a focused light beam may cause a fire.

Do not expose the lens to high temperatures.

Do not look through the lens at the sun or in its general direction, as that may cause permanent eye damage.

The lens and its attached accessories should be kept away from children and animals, as they contain small elements that constitute a choking hazard.

Unsupervised dismantling of the lens may lead to permanent damage and loss of warranty.

In the case of any faulty operation, it is strongly recommended that you contact the authorized Irix service point.



TH Swiss AG
Switzerland
info@irixlens.com
irixlens.com



[Irix]

45 $\frac{f/1.4}{mm}$

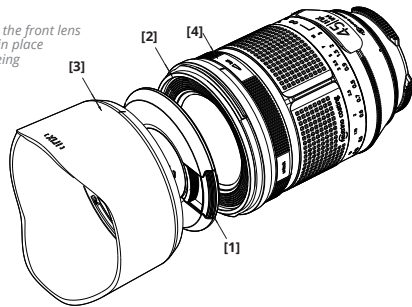
USER MANUAL

Thank you for choosing our product. Your new lens has been designed with both the effort and experience of not only engineers, but also of photographers. It has been created based on the best available materials, technology and solutions, thus making it the perfect tool for both professionals and hobbyists.

The Irix 45 mm f/1.4 is a standard lens with manual focus which has been designed for full frame or smaller sensor cameras.

[1] FRONT LENS CAP

The front lens cap protects the front lens and should always be put in place whenever the lens is not being used.



[2] FRONT FILTER THREAD

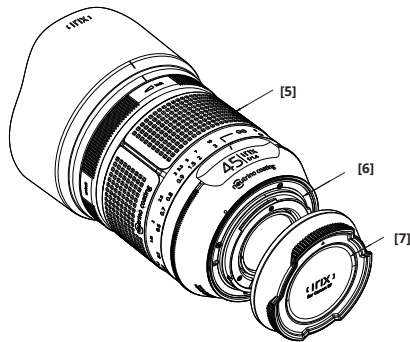
The design of the lens allows the use of 77mm screw-in filters.

Screw the filter on clockwise as viewed from the front lens. Before fully screwing on the filter, make sure the lens does not come into contact with the filter's glass surface, as this may cause damage to both components.

[3] LENS HOOD

The lens hood is used to block light sources to prevent glare and lens flare, which may decrease contrast and cause light reflections in the image.

To attach the lens hood, place it so that the white position marker lines are adjacent to one another. Then turn the hood clockwise, as viewed from the front lens, until you hear a "click". To remove the hood, turn it counter-clockwise. During transport, the lens hood can be attached in the reversed position.



[4] FOCUS LOCK RING

The focus lock ring lets you lock the focusing ring into a chosen position.

To lock the focus ring, rotate the focus lock ring left until there is noticeable resistance. To unlock, rotate the focus lock ring all the way to the right.

Attempting to forcibly rotate the focus ring when in its locked position may result in permanent damage to the lens.

[5] FOCUS RING

The lens is not equipped with an autofocus system.

To focus on a given object, look at the image in the viewfinder or on the camera screen and adjust it manually by rotating the focus ring. You can also use the distance scale (in feet or metres) on the lens body to estimate the distance to the chosen object for the photograph.

[6] LENS MOUNT

Mounting the lens to the camera as described in the camera's user manual may differ with various systems.

The marker (dot) on the lens body facilitates mounting the lens onto the camera.

[7] REAR LENS CAP

The rear lens cap protects the lens during transport and should be put in place whenever the lens is not attached to the camera.

APERTURE CONTROL

The aperture of the lens is operated electronically through the camera. Detailed information regarding aperture operation can be found in the camera's user manual and may differ for various systems.

LENS HARDCASE

In order to protect the lens against dust and scratching, it is recommended to keep it stored in a hard case. However, remember that a hard case does not provide protection from water, being dropped, or shock.