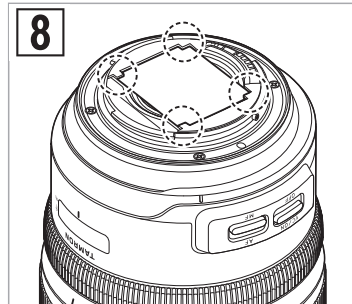
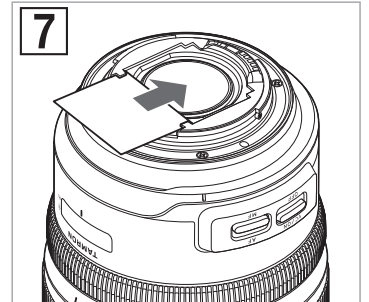
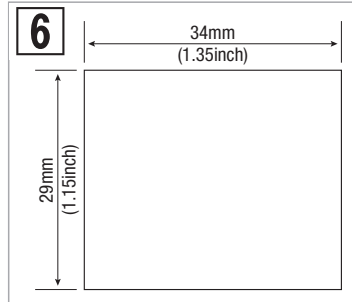
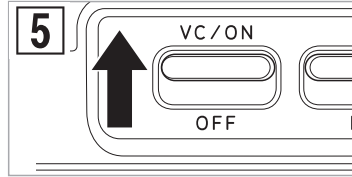
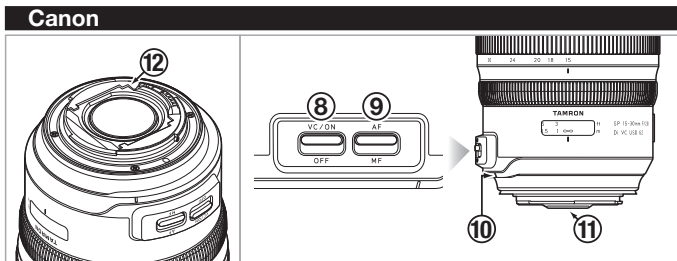
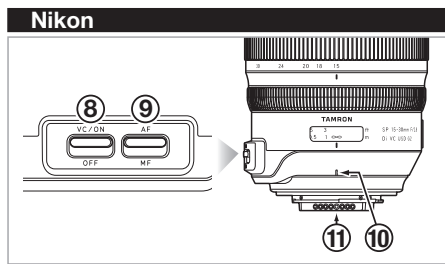
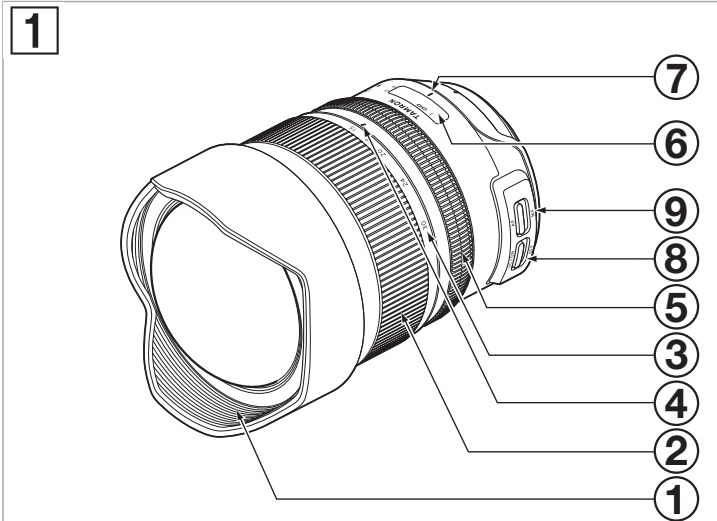


TAMRON | Model: A041 Owner's manual

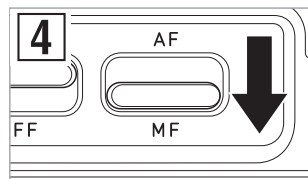
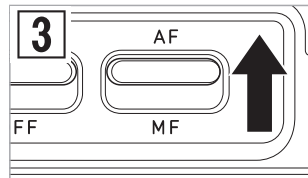
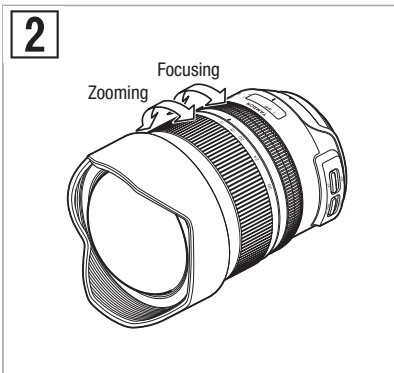
SP 15-30mm F/2.8 Di VC USD G2

For Nikon DSLR
For Canon DSLR



CE * The **CE** Marking is a directive conformity mark of the European Community (EC).
 * Das **CE**-Zeichen entspricht der EC Norm.
 * La marquage **CE** est un marquage de conformité à la directive CEE (CE).
 * La marca **CE** es marca de conformidad según directiva de la Comunidad Europea (CE).
 * Il marchio **CE** attesta la conformità alla direttiva della Comunità Europea (CEE).
 * **CE** 标志表示符合欧洲共同体(CE)指标

CE The EEC Conformity Report applies to the Council Directive 2014/30/EU, 2011/65/EU and is used by Tamron Co., Ltd., manufacturer of this product.



ENGLISH

Thank you for purchasing the Tamron lens as the latest addition to your photographic equipment. Before using your new lens, please read the contents of this Owner's Manual thoroughly to familiarize yourself with your lens and the proper techniques for creating the highest quality images possible. With proper handling and care, your Tamron lens will give you many years of photographing beautiful and exciting pictures.



- Explains precautions that help to prevent problems.



- Explains things you should know in addition to basic operations.

PART NAMES (Refer to Fig. 1)

① Lens hood	② Zooming ring
③ Focal length scale	④ Focal length mark
⑤ Focus ring	⑥ Distance scale
⑦ Distance mark	⑧ VC (Vibration Compensation) switch
⑨ AF/MF switch	⑩ Lens attachment mark
⑪ Lens-camera interface contacts	⑫ Rear filter holder



- Before using the lens, remove the tape on it.

MAIN SPECIFICATIONS

Model	A041
Focal Length	15-30 mm
Maximum Aperture	F/2.8
Angle of View	110°32' - 71°35'
Lens Construction	13/18
Minimum Focus Distance	0.28 m (11.0")
Maximum Magnification Ratio	1:5
Length	142.5 mm* (5.6")
Diameter	ø 98.4 mm
Weight	1,100 g* (38.8 oz)



- * Values are specifications of Nikon products.
- Length: From lens front to mount surface.
- Features and appearances of lenses listed in this owner's manual are subject to change without notice.

ATTACHING AND REMOVING THE LENS

Remove the rear cap of the lens. Align the lens attachment mark ⑩ and mounting mark on the camera, and then insert the lens.
Turn the lens counterclockwise for Nikon models or clockwise for Canon models until it locks.
To remove the lens, turn the lens in the opposite direction while pressing the lens release button on the camera.



- Turn off the power of the camera before attaching or removing the lens.
- In AF mode, it may be difficult for autofocus to work depending on the subject.



- For details, please read the instruction manual of your camera.

SWITCHING FOCUS MODE (Ref. Figs. 1 - 4)

To shoot using autofocus (AF), set the AF/MF switch ⑨ to "AF". (Ref. Fig. 3)
To shoot using manual focus (MF), set the AF/MF switch ⑨ to "MF", and then use your hand to turn the focus ring ⑤ and focus the image. (Ref. Figs. 2, 4)



- The distance scale ⑥ is provided as a guideline. It may differ from the actual focus distance.
- In AF mode, it may be difficult for autofocus to work depending on the subject.



- Through the full-time manual mechanism, when focusing with AF, it is possible to switch to MF by turning the focus ring ⑤ while the AF/MF switch ⑨ is set to AF. AF can be resumed by releasing your finger from the shutter button and then depressing the shutter button halfway.
- To ensure focus under various conditions, the focus ring ⑤ rotates past the infinity (∞) position. Accordingly, always check the focus in the viewfinder when shooting with manual focus, even when the focus is aligned with infinity.
- For details, please read the instruction manual of your camera.

VC MECHANISM (Ref. Figs. 1, 5)

The VC (Vibration Compensation) mechanism reduces image blur caused by hand-held shooting.

How to use VC (Ref. Fig. 5)

When you use VC, set the VC switch ⑧ to ON.

Press the shutter button halfway and confirm that the viewfinder image is stable before taking a picture.

VC is effective under the following conditions

- Dimly lit locations
- Locations where flash photography is prohibited
- Locations where you have unstable standing position.

VC may not perform sufficiently under the following conditions

- When a photograph is taken from a vehicle that is shaking greatly
- Shooting during excessive movement of the camera
- When shooting while using a tripod
- Set the VC switch ⑧ to OFF when taking pictures with bulb photography (long exposures). Otherwise, VC may cause a malfunction.



- The viewfinder image may become blurred immediately after the shutter button is pressed halfway. This is due to the principles of VC and not a malfunction.
- When the VC switch ⑧ is set to ON, the total number of recordable images will reduce due to power being consumed from the camera.
- Set the VC switch ⑧ to OFF when you are shooting while the camera is secured by something other than your hand (such as a tripod).
- Do not remove the lens from the camera while VC is on. If the lens is removed while VC is on, the lens may make a clicking sound if the lens is shaken. This is not a malfunction. If the lens is installed on the camera, and the camera's power is switched on, the sound stops.
- For Nikon cameras equipped with a built-in flash, VC will be turned off while the built-in flash is charging.

ZOOMING (Ref. Figs. 1, 2)

While looking through the camera's viewfinder, rotate the zooming ring ② of the lens to set the focal length suitable for the image, and then shoot.

LENS HOOD (Ref. Fig. 1)

The lens hood ① is attached as standard. The hood is part of the lens and cannot be removed.

Rear filter holder (only for Canon models) (Ref. Figs. 1, 6 - 8)

The lens for Canon cameras is equipped with a filter holder ⑫ at the rear.

You may cut a commercially-available filter sheet along the guide shown in Fig. 6 and insert it in the holder.

Set the zooming ring ② to the telephoto side to make it easier to insert the filter.



- After setting the filter, check that the four corners of the filter are correctly inserted in the holder (Fig. 8).
- The filter may fall if the four corners are not correctly inserted.
- Pay attention to the rear element of the lens when inserting the filter.
- Use only one filter at a time.
- Ghosts may appear on the picture depending on the filter in use.

TAP-in Console (Sold separately)

The following adjustments are made possible by using the optionally sold TAP-in Console.

- Switching of VC priority mode
- Focus point adjustment
- Firmware update
- Adjustment of the full-time manual stroke sensitivity



- It is required to download the software from the Tamron website. See the TAP-in Console manual for more details.

PRECAUTIONS WHEN SHOOTING

- An internal focusing (IF) system is employed to reduce the minimum focus distance. Because of this, the angle of view may be wider than that of lenses using other focusing systems when shooting at a distance less than infinity.
- When you use the built-in flash on the camera for flash photography, the lens may block the light ray and a dark semicircle may appear at the bottom of the screen. For flash photography, we recommend that you use an external flash unit recommended by the camera manufacturer.
- Differences in the display systems of cameras may result in the display of values different from the maximum and minimum aperture values in the specifications. This is not an indication of an error.
- A general front filter cannot be set to the front of the lens.
- Rear filters cannot be set or used on Nikon mount lens.
- Use with mirrorless interchangeable-lens cameras is not guaranteed.

TO ENSURE LONG-TERM SATISFACTION

- Remove dust and soiling on the lens by using a blower or soft brush. Do not touch the lens with your fingers.
- The lens surface of the front element has been coated to prevent water and oily substances from adhering. Since it will repel water, do not use lens cleaners or other substances but only a dry cloth to clean the front element.
- To clean the lens surface of the rear element, lightly wipe it starting from the center with a commercially available lens cleaning paper, a clean cotton cloth or a microfiber cloth (cleaning cloth for glasses, etc.) soaked in lens cleaner. Do not use a silicone cloth.
- Clean the lens barrel using a silicone cloth. Never use benzene, thinner, or other organic solvents.
- Mildew is a major problem for lenses. Store your lens in a clean, cool, and dry place. When you store the lens in a lens case, store it with a commercially available drying agent and replace the drying agent occasionally.
- Do not touch the lens-camera interface contacts. If dust or stains cause contact problems, signals are not transmitted properly between the lens and camera, and malfunctions may occur.
- If the temperature changes suddenly, moisture may form within the camera and lens and cause malfunctions.

To prevent this, seal your equipment in a plastic bag or similar container. After your equipment has adjusted to the ambient temperature, remove it from the bag and use it as usual.



Disposal of Electrical and Electronic Equipment in Private Households. Disposal of used Electrical & Electronic Equipment (Applicable in the European Union and other European countries with separate collection systems)

This symbol indicates that this product shall not be treated as household waste. Instead it shall be collected separately for the recycling of electrical and

electronic equipment.

If the new products are purchased, this product might be handed over to the distributor or the collection system of waste electrical and electronic equipment eventually. By ensuring this product is disposed of correctly, you will help prevent potential negative consequences for the environment and human health, which could otherwise be caused by inappropriate waste handling of this product or components of this product. If this product is disposed illegally, it might cause a possibility of penalties. For more detailed information about recycling of this product, please contact your local Civic Office, your household waste disposal service or the shop where you purchased the product.

TAMRON

ENGLISH

Precautions for Safe Use of Tamron Lenses

For safe operation be sure to carefully read the "Precautions for Safe Use of Tamron Lenses" and the manual before using the product.

After reading them, store them in a place where they can easily be reviewed whenever needed.

Caution instructions are divided into the following two categories according to the degree of danger involved.



WARNING

This indicates instructions which if not followed or if performed incorrectly could lead to death or serious injury.

- Do not view the sun or other strong light source directly through the lens or through a camera while using this lens.
Doing so could cause loss of vision, damage to the lens and/or the camera, and possibly cause the lens and/or camera to ignite.
- Do not disassemble, repair, or modify the lens.
This could damage the lens or camera.
- Keep the lens out of the reach of small children.
There is a risk of injury if the lens is dropped or falls down.



CAUTION

This indicates instructions which if not heeded or if performed incorrectly could lead to bodily injury or physical damage

- Do not place lens in direct sunlight or leave it in an extremely hot place such inside a car. Doing such could damage the internal parts of the lens or cause a fire.
- Always attach the lens cap whenever the lens is not in use.
- When attaching the lens to the camera, ensure that the lens has been properly attached to the camera and firmly locked.
If the lens is not attached properly, it could be difficult to remove or it could fall off causing damage or injury.
- Do not use this lens for any application other than photography.
- Do not transport the lens while it is still attached to a tripod.