

SAMYANG

Samyang AF 35mm F1.4 FE

Instruction Manual

Thank you for purchasing this Samyang Optics product.

The Samyang AF 35mm F1.4 FE lens is a high performance AF single vision lens designed exclusively for the E-mount of SONY α interchangeable-lens cameras. (This lens cannot be used with an A-mount camera.)

※ FE refers to the full frame E-mount.

Advantages

- This lens is designed exclusively for E-Mount, delivering excellent optical capability.
- Designed for cameras with 35mm full frame image sensors for high quality pictures and videos.
- The large F1.4 lens ensures bright and highly dimensional images and provides ideal images in landscape and snapshot photography.
- It minimizes various aberrations by using a glass mold aspherical lens, so even at the fully opened position, high-resolution and high-contrast images are produced from the center of the lens as well as around the periphery.
- This product is equipped with an ultrasonic motor for quiet and accurate photography.
- This product is designed in the form of an inner focus lens, meaning the lens does not come out or rotate according to the focal distance, and is therefore convenient for using a filter and is more resistant to dust.

Before using

- Please read this instruction manual and familiarize yourself with the functions of the lens, the operating method and cautions for handling the product correctly prior to use. Also refer to the instruction manual of the camera you are using with the lens.
- The supported functions of this product may vary according to the camera model.
- For detailed information regarding compatibility, visit the certified service center or refer to our homepage. (<https://www.samyanglensglobal.com>)

Cautions for using the lens

In order to maintain user safety and prevent damage to the product, fully familiarize yourself with the following items in order to use the product correctly.

- It is dangerous to look at the sun through the lens directly. Doing so may seriously impair your vision.
- Be careful not to apply an impact when attaching the lens. The lens is a precisionoptical product, so dropping or applying excessive impact to the lens may cause product failure.
- In order to use the lens safely, attach or detach the lens while the camera is turned off.
- Be careful not to touch or contaminate the contact point on the mount. If an electronic signal is not transmitted between the camera and the lens smoothly, a malfunction may occur.
- Do not wet the lens or touch the lens with a wet hand when using the lens near water. Doing so may result in fire or electric shock.
- It is recommended to use a strong tripod. If a weak tripod is used, the tripod may fall, damaging the camera and the lens.

The following precautions are divided into two types according to the level of danger.

WARNING

Not following these instructions may result in death or severe injury to the user.

CAUTION

Not following these instructions may result in product damage or injury to the user.

The following pictograms are used in the below precautions:



requires caution. Inside the pictogram it shows contents of precautions. (The left pictogram shows an outbreak of fire in the pictogram.)



shows prohibition. Inside the pictogram it shows contents of prohibition. (The left pictogram shows a prohibition of dismantling.)



shows instruction. Inside the pictogram it shows contents of instructions. (The left pictogram shows an instruction of precaution in the pictogram.)

⚠ WARNING

Do not look at the sun through the lens. Doing so may cause blindness.

Keep the lens out of children's reach. It may drop or fall down, causing injury.

⚠ CAUTION

Attach the lens to the camera correctly and ensure the lens is held in place properly; otherwise the lens may not be removable, or may become loose unintentionally and cause damage.

Do not apply excessive weight on the lens attached to the camera. Doing so may cause damage to the lens and camera mounts. Be sure to hold the lens when operating or moving.

Ensure that the camera operates properly by checking the lens beforehand or by test shooting for important events such as a wedding ceremony and an overseas trip.

Do not attempt to modify or alter the lens. Doing so may lead to failure of the camera. Modified or altered lenses may not be repaired.

Do not leave the lens in direct sunlight. Doing so may cause a fire, depending on lenses that concentrate light on a close object.

Do not look at the sun directly through a camera with a lens attached. Doing so may cause damage to eyesight.

Storing the lens

- Do not store the lens without a lens cap in a location with direct sunlight, such as inside a vehicle. Direct sunlight passing through the lens may be concentrated, causing a fire.
- If the lens is placed in a hot location, damage or distortion may occur and problems in the performance may occur.
- Store the lens in a dry and well-ventilated location. Avoid direct sunlight and do not store the lens with naphthalene or moth balls.
- Avoid using the lens in a location with drastic temperature changes. In particular, if you move a lens that has been chilled in a cold location to a warm location, moisture in the air may be concentrated outside or inside the lens, causing product failure or the production of mold. In such a case, keep the lens in a plastic bag or an exclusive camera bag and take it out when the temperature of the lens becomes similar to the peripheral temperature.
- Keep the lens out of the reach of children. Failure to do so may cause an accident or personal injury.

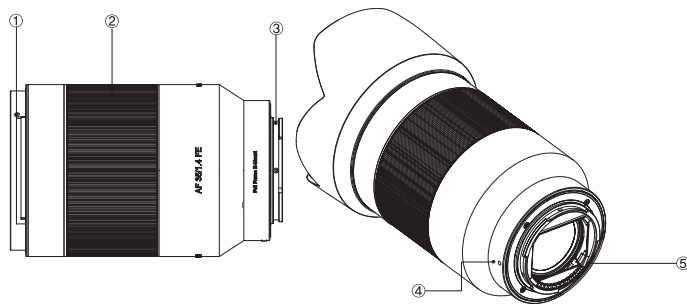
Cleaning the lens

- If the lens surface gets dirty, dust it off using a lens blower or a brush and wipe it with a soft and clean cloth (cleaning tissue, cotton cloth, etc.).
- When dusting or cleaning the lens, do not use an organic solvent such as thinner, alcohol, or benzene.
- When cleaning the lens, put a small amount of ethanol or lens cleaner on a soft and clean cloth or a cleaning paper and wipe the lens by circling outwards from the center.

Components

- Lens
- 2lens caps (front, rear)
- Instruction manual
- Hood
- Portable pouch
- Warranty

Name of each part



- ① Hood locking tube
- ③ Mount
- ⑤ Lens signal contact

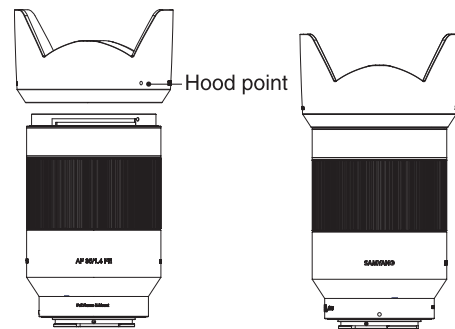
- ② Focus ring
- ④ Lens mount index

Lens Installation and Detachment

- Attaching the lens
 - Remove the front cap and the rear cap of the lens.
 - Align the mount index (white dot) indicated on the lens to the lens mount index (white dot) indicated on the camera mount, then rotate the lens clockwise until a clicking sound occurs.
- Detaching the lens
 - With the camera lens detaching button pressed, detach the lens by rotating it counterclockwise until the lens stops.

Mounting a Hood

Align the attachment reference point on the hood with the reference point for the hood on the lens, push the hood onto the lens, then turn the hood clockwise until it makes a clicking sound.



Focus mode setting

- There are five focus methods for SONY α interchangeable-lens cameras. (※ This may vary according to the camera model.)
 - AF-S (Single shooting AF): The focus is adjusted automatically in the camera.
 - AF-A (Automatic AF): The camera switches to single shooting AF or continuous AF mode automatically according to the movement of a subject.
 - AF-C (Continuous AF): The focus is adjusted continuously in the camera.
 - DMF (Direct manual focus): Manual fine adjustment is available after automatic focusing.
 - MF (Manual focus): The focus is adjusted manually.
- For detailed content regarding the focus mode setting, refer to the instruction manual of the camera.

Product Specifications

Model name	AF 35mm F1.4 FE	
Aperture range	F1.4 ~ 16	
Angle of View	Full Frame	65.5 °
	APS-C	45.2 °
Optical construction	11 elements in 9 groups (including 2 aspherical lenses)	
Minimum focusing distance	0.30m (0.98ft)	
Maximum shooting magnification	x 0.17	
Filter size	Ø67 mm	
Number of aperture blades	9	
Maximum diameter X length	Ø75.9 mm x 115.0mm	
Weight (Without Cap, Hood)	645 g	

- The minimum focus is the distance from the image sensor to the object.
- The product specifications and exterior are subject to change without notice.

EMC Product

Class B equipment: Korean Class B ITE
This equipment has been registered with electromagnetic compatibility for household purposes and can be used in residential areas, as well as all other areas.

MEMO

SAMYANG OPTICS CO., LTD.

- <https://www.samyanglensglobal.com>
- Headquarters and Factory: 123, Jayumuyeok 6-gil, Masan Hoewon-gu, Changwon, Gyeongnam, Korea (Bongam-dong)
(Masan Free Trade Zone 2 P.O.BOX 340) Postal code: 51343
TEL: +82-55-250 - 5600 FAX: +82-55-292 - 3135