

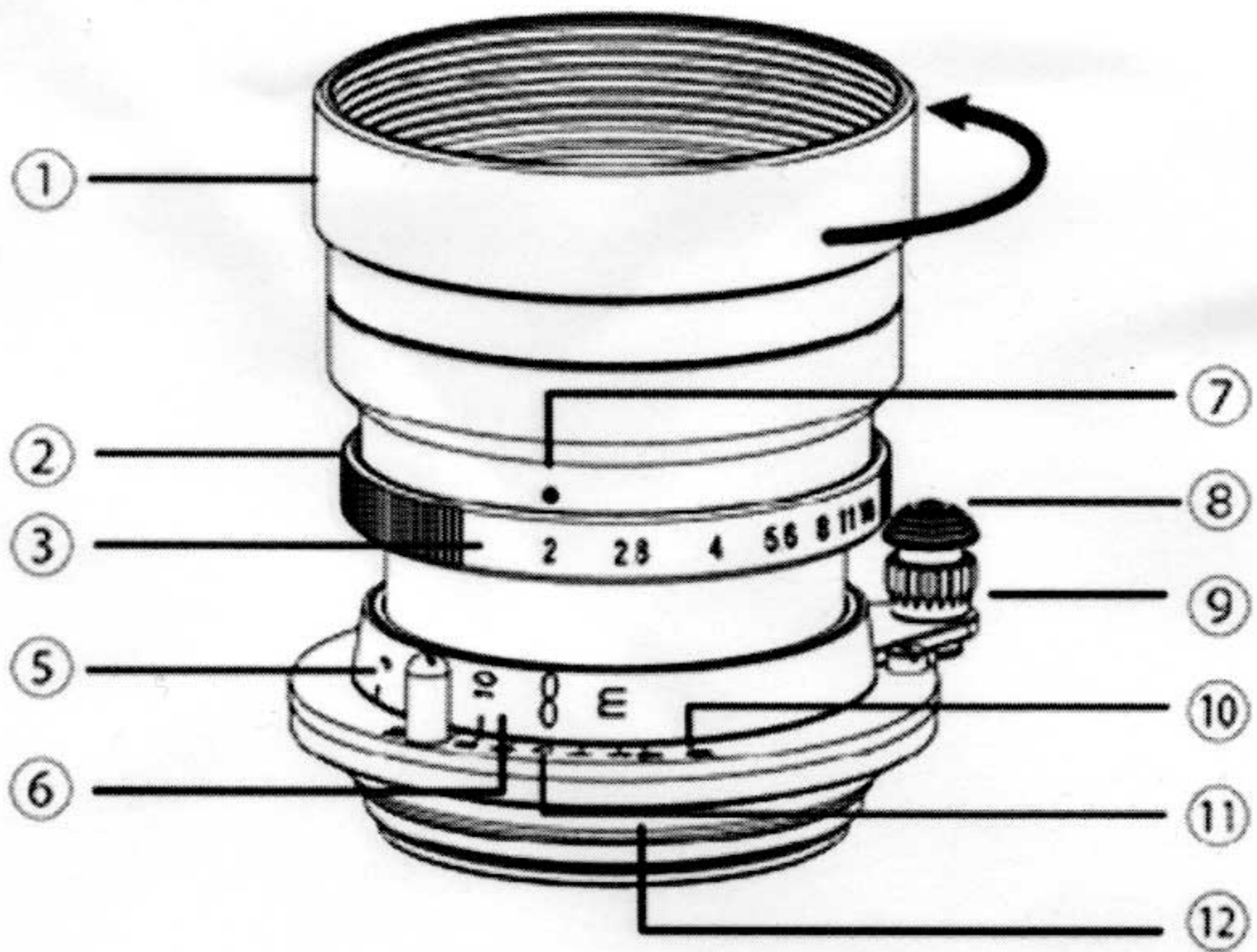
使用説明書  
BEDIENUNGSANLEITUNG  
INSTRUCTION MANUAL  
使用説明書

*Voigtlander*

**HELIAR 50mm F2**

**HELIAR 50mm F3.5**

# HELIAR 50mm F2



Heliar 50mm F2

Carl Zeiss Jena

# Voigtlander

HELIAR 50mm F2 HELIAR 50mm F3.5

## Instruction Manual

### ● DESCRIPTION of PARTS

- |                   |                        |                        |
|-------------------|------------------------|------------------------|
| ① Lens Hood       | ⑤ Distance Ring        | ⑨ Focusing Lever       |
| ② Aperture Ring   | ⑥ Distance Scale       | ⑩ Depth Of Field Scale |
| ③ Aperture Scale  | ⑦ Aperture Index       | ⑪ Distance Index       |
| ④ Collapsing Ring | ⑧ Infinity Lock Button | ⑫ VL Mount             |

### ● FOCUSING

Focusing is locked when the lens is at  $\infty$  position.

To release the focusing lock, press the Focusing Lock Button and turn with the Focusing Lever.

### ● ATTACHING FILTER

1. Turn the Lens Hood counter-clockwise and take off from the lens.

2. Screw the filter onto the lens.

(Refer the specification list for proper filter size)

3. Screw Lens Hood back onto the lens.

\* For Heliar 50mm F3.5 exclusive filter S27 MC is available as an optional accessory.

### ● ATTACHING MOUNT ADAPTER

This lens can be mounted on Micro Four Thirds digital camera via Voigtlander VM-Micro Four Thirds adapter ring and Voigtlander M/L adapter ring.

Caution : With Micro Four Thirds digital camera, do not collapse Heliar 50mm F3.5 lens as the lens may cause damage to the camera body.

### ● COLLAPSING LENS (Only with Heliar 50mm F3.5)

1. Lock the Focusing Lever at  $\infty$  position.

2. Fully turn Collapsing Ring counterclockwise, then push the lens into camera body.

3. To extend the lens, reverse the procedure.

\* Keep the lens straight to avoid damage to the lens and camera body.

\* Ensure the lens barrel is kept clean to avoid any damage.

Wipe off any residue on the barrel with a soft lint free cloth before collapsing the lens.

\* When attaching or removing the lens, make sure that it is fully extended and locked in.

## ●SPECIFICATIONS

### Heliar 50mm F2

Focal Length:	50mm
Maximum Aperture:	1:2.0
Minimum Aperture:	F16
Lens Construction:	3 groups 5 elements
Picture Angle:	46°
Aperture Blades:	11
Nearest distance:	1m
Rangefinder Coupling:	∞ – 1m
Diameter:	Φ47.0mm
Length:	37.5mm (without lens hood)
Filter Size:	Φ39mm
Weight:	191g (without lens hood)
Mount:	VL Mount
Others:	Supplied with Standard lens hood

### Heliar 50 mm F3.5

Focal Length:	50mm
Maximum Aperture:	1:3.5
Minimum Aperture:	F22
Lens Construction:	3 groups 5 elements
Picture Angle:	46°
Aperture Blades:	10
Closest Focus:	1m
Rangefinder Coupling:	∞ – 1m
Diameter:	Φ47.0mm
Length:	42.2mm (without lens hood)
Filter Size:	Φ27mm
Weight:	147g (without lens hood)
Mount:	VL Mount
Others:	Supplied with Standard lens hood