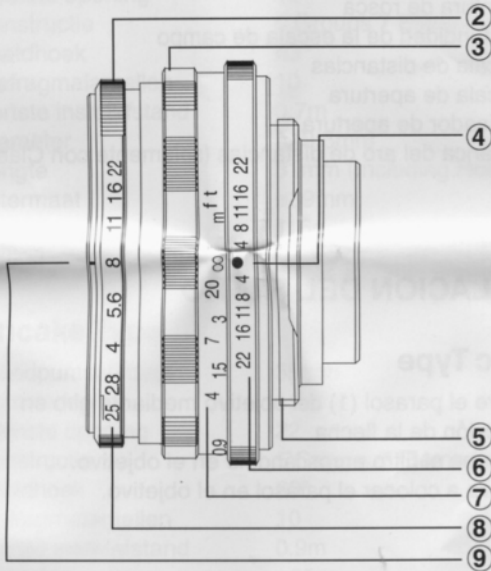
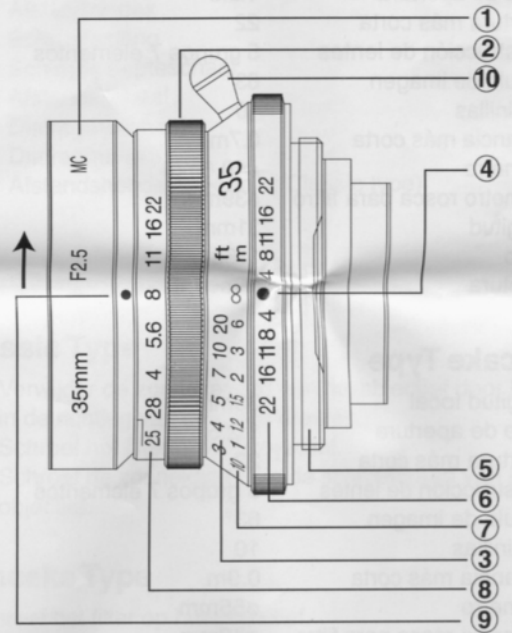


**COLOR-SKOPAR
35mm F2.5 PAN-CAKE TYPE**



**COLOR-SKOPAR
35mm F2.5 CLASSIC TYPE**



INSTRUCTION MANUAL

● **SPECIFICATION**

Classic Type

Focal Length	35mm
Aperture Ratio	2.5
Smallest Aperture	22
Lens Construction	5 Groups 7 Elements
Picture Angle	63°
Aperture Blades	10
Nearest Distance	0.7m
Diameter	ø49.6mm
Length	31mm
Filter Size	ø39mm
Weight	116g
Mount	L-mount

Pancake Type

Focal Length	35mm
Aperture Ratio	2.5
Smallest Aperture	22
Lens Construction	5 Groups 7 Elements
Picture Angle	63°
Aperture Blades	10
Nearest Distance	0.9m
Diameter	ø55mm
Length	25mm
Filter Size	ø43mm
Weight	134g
Mount	L-mount

● **NOMENCLATURE OF EACH PART**

1. Lens Hood
2. Aperture Ring
3. Distance Ring
4. Distance Index
5. Mount Screw
6. Depth Of Field Scale
7. Distance Scale
8. Aperture Scale
9. Aperture Index
10. Distance ring lever(Only with Classic type)

● **ATTACHING FILTER**

Classic Type

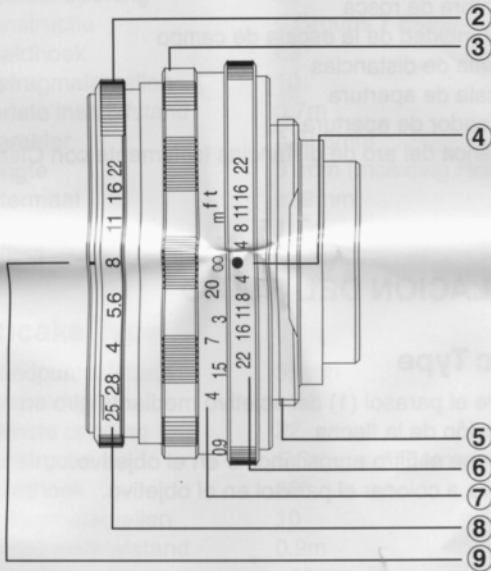
1. To detach the lens hood(1) from the lens turn in the direction of the arrow.
2. Screw the filter onto the lens.
3. Screw the hood(1) onto the lens.

Pancake Type

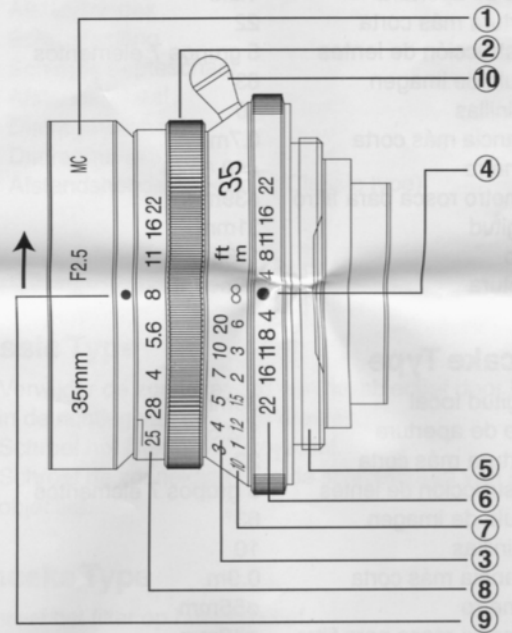
Screw the filter onto the lens.

* Lens hood for Pancake type is also available.

**COLOR-SKOPAR
35mm F2.5 PAN-CAKE TYPE**



**COLOR-SKOPAR
35mm F2.5 CLASSIC TYPE**



INSTRUCTION MANUAL

● **SPECIFICATION**

Classic Type

Focal Length	35mm
Aperture Ratio	2.5
Smallest Aperture	22
Lens Construction	5 Groups 7 Elements
Picture Angle	63°
Aperture Blades	10
Nearest Distance	0.7m
Diameter	ø49.6mm
Length	31mm
Filter Size	ø39mm
Weight	116g
Mount	L-mount

Pancake Type

Focal Length	35mm
Aperture Ratio	2.5
Smallest Aperture	22
Lens Construction	5 Groups 7 Elements
Picture Angle	63°
Aperture Blades	10
Nearest Distance	0.9m
Diameter	ø55mm
Length	25mm
Filter Size	ø43mm
Weight	134g
Mount	L-mount

● **NOMENCLATURE OF EACH PART**

1. Lens Hood
2. Aperture Ring
3. Distance Ring
4. Distance Index
5. Mount Screw
6. Depth Of Field Scale
7. Distance Scale
8. Aperture Scale
9. Aperture Index
10. Distance ring lever(Only with Classic type)

● **ATTACHING FILTER**

Classic Type

1. To detach the lens hood(1) from the lens turn in the direction of the arrow.
2. Screw the filter onto the lens.
3. Screw the hood(1) onto the lens.

Pancake Type

Screw the filter onto the lens.

* Lens hood for Pancake type is also available.