

How to use
Canonflex RP

RP

RP

CANON CAMERA CO., INC.

312 Shimo-Maruko-cho, Ohta-ku, Tokyo, Japan

CANON NEW YORK:

404 Park Avenue South, New York 16, N.Y., U.S.A.

CANON EUROPE:

40 Rue du Stand, Geneva, Switzerland

Main Features of the Canonflex

Type: 35mm single-lens reflex

Finder: Built-in eye-level finder using pentagonal prism

Focusing Glass: Built-in rangefinder (alignment of top and bottom images) using Fresnel lens

Mirror: Quick return type

Lens Pre-Set Aperture: Super Canomatic, completely pre-set automatic mechanism

Shutter: Single-pivot focal plane shutter with dial for speeds from 1/1000 sec. to 1 sec., B and X

Coupled Exposure Meter: Complete coupling of shutter and lens aperture through high-sensitivity Canon-Meter R

Synchro-Flash: Direct flash connector socket and automatic time lag adjustment

Lens Mount: Canon bayonet mount

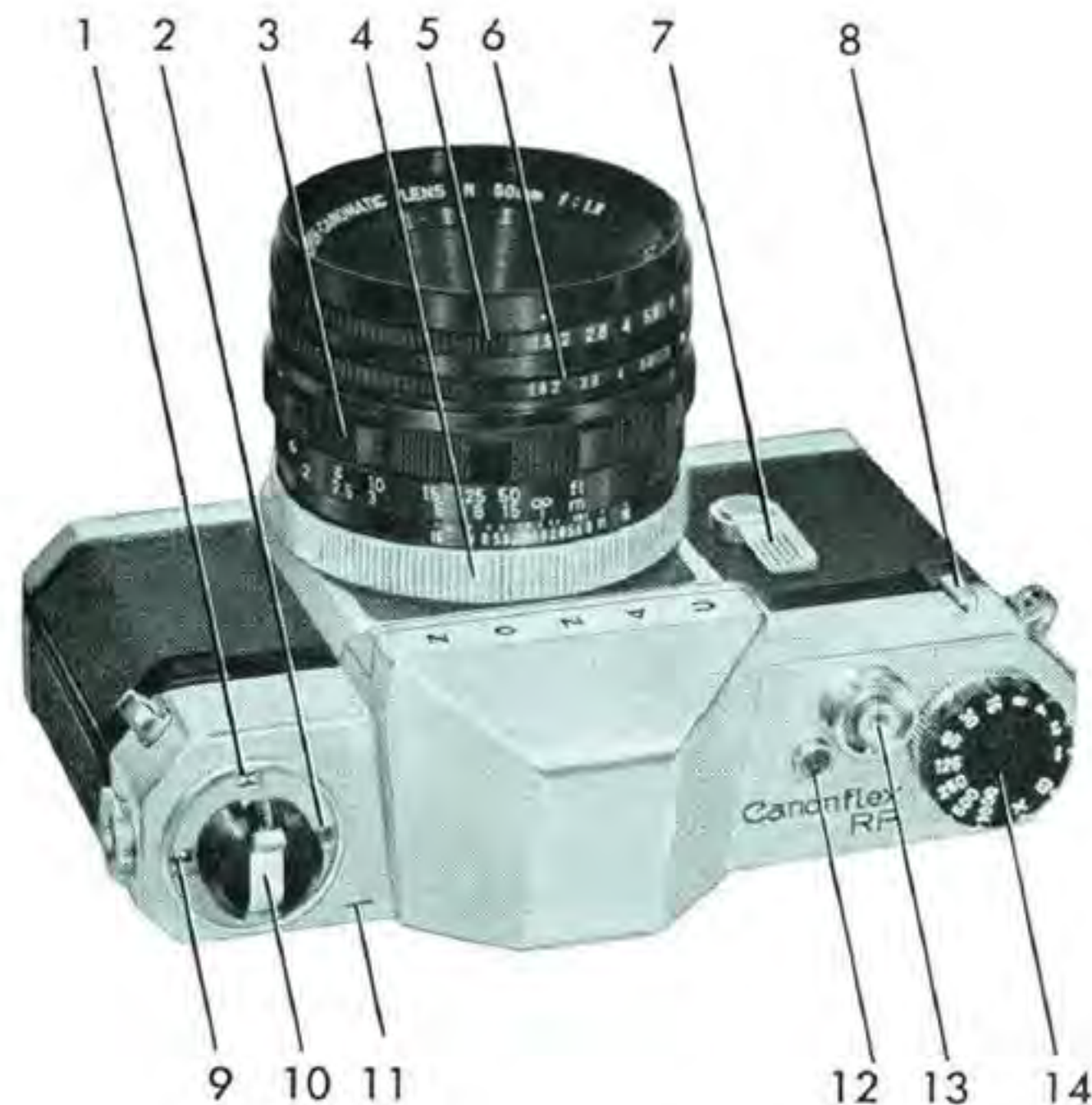
Interchangeable Lenses: Various types of interchangeable lenses with automatically pre-set aperture

Film-Winding and Shutter-Cocking Device: 130°-turn trigger type lever on bottom of camera

Film Rewind: Folding type crank

Film Loading: Back cover opening type; a special magazine can be used as well as the ordinary cassette; magazine opening-closing carried out in same operation as back cover lock; automatic return to "0" of exposure counter dial

Safety Devices: Fool-proof devices in shutter button, film wind, synchro-flash and other places.



- | | |
|-------------------------------|--------------------------------------|
| 1. Film Type Reminder | 8. Accessory Clip |
| 2. DIN Film Speed Reminder | 9. ASA Film Speed Reminder |
| 3. Knurled Focusing Ring | 10. Film Rewind Crank |
| 4. Bayonet Ring | 11. Film Plane Mark |
| 5. Lens Pre-Set Aperture Ring | 12. Exposure Counter Dial |
| 6. Lens Visual Aperture Ring | 13. Shutter Release Button |
| 7. Built-In Self-Timer | 14. Single-Pivot, Shutter Speed Dial |

About Super Canomatic System...

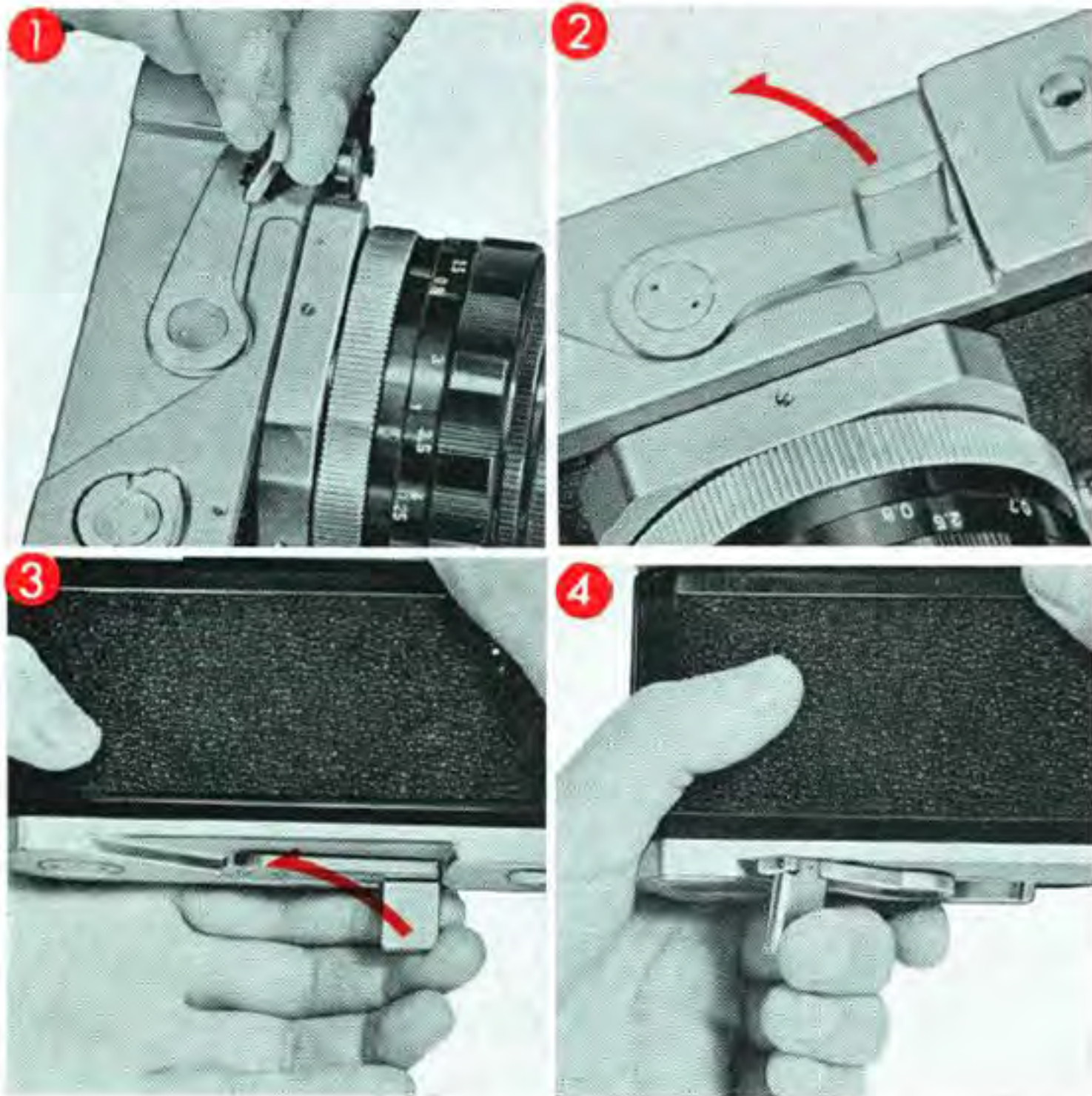
When the Canonflex, the predecessor of Canonflexes R2000 and RP, was introduced, Canon had opened up an entirely new horizon in the photographic versatilities and concepts. It was the first attempt made by the high quality camera manufacturer to produce a 35mm single-lens reflex that allows the photographers to view and focus at full-aperture brightness at all times.

The Super Canomatic System incorporates automatic springback diaphragm and mirror. Here's how Super Canomatic works; as the shutter button is pressed, the mirror snaps up and returns automatically immediately after exposure. Simultaneously, the pre-set diaphragm of the Super Canomatic lens closes down to the pre-selected aperture stop and reopens to full aperture instantly. Thus, viewing and focusing with full-aperture brightness before and after the exposure can be achieved. There is no blackout with the Super Canomatic System. Canon-exclusive precision mechanism assures you of smooth, quiet, and accurate performance everytime!

Contents

1. Winding Film and Cocking Shutter.....	2
2. Setting Shutter Speed	4
3. How to Hold the Canonflex	5
4. Focusing	6
5. Lens Adjustment	8
6. Depth-of-Field	11
7. Self-Timer	15
8. Film Loading	16
9. Double Exposure	19
10. Film Rewind	20
11. Changing the Lens	22
12. How to Use Canon-Meter R.....	24
13. Exposure Setting	26
14. Flash Synchronization	28
15. Canon Interchangeable Lenses for Canonflex	29
16. Photo Aids for Canonflex	31
17. Photo Aids for Canon Lenses	32

Winding Film and Cocking Shutter



Raise the knob on the end of the trigger lever. Hook a finger on the knob and turn in the direction indicated by the arrow until it stops. The film is advanced one exposure and the shutter is cocked simultaneously.

With this operation, the spring back mirror and the lens aperture pre-set mechanism for picture taking are readied at the same time.

When the shutter release button is pressed

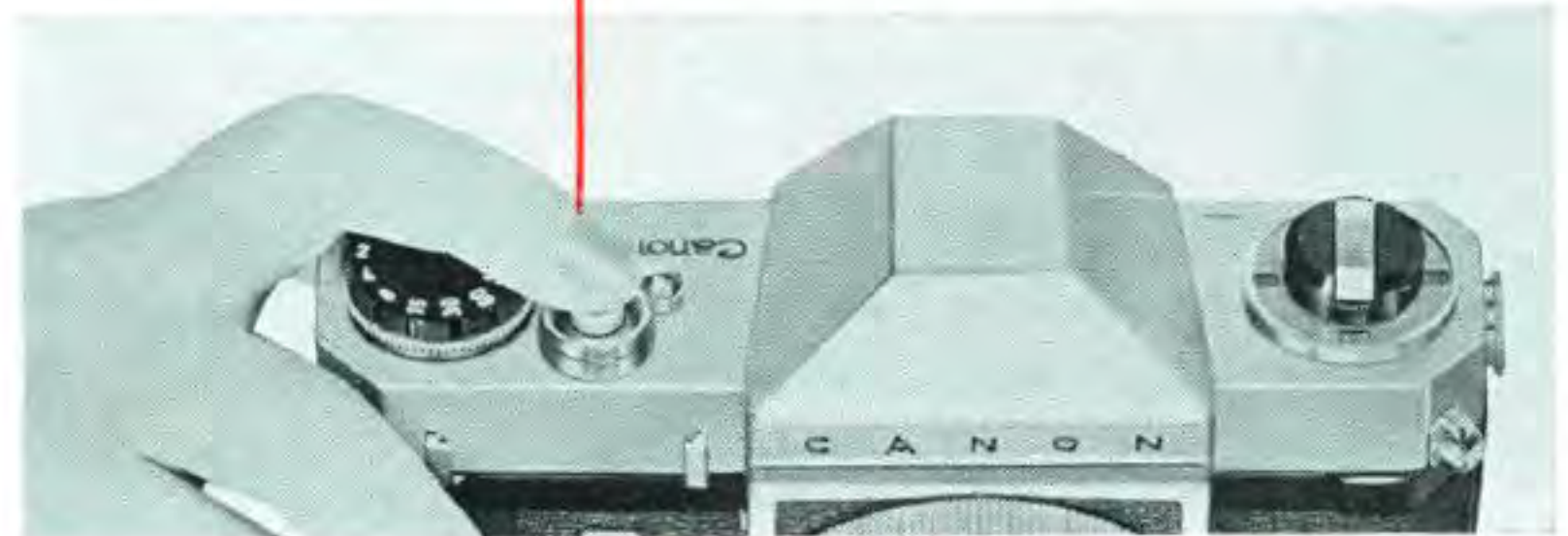
The mirror springs up, the lens aperture is closed down to the pre-selected stop automatically and the shutter is released.

The trigger lever is in a condition to be wound immediately after the shutter release.

The shutter release button will not operate if it is pushed during film winding. Consequently, when the shutter release button will not move, try winding the trigger lever.

Film can be wound through repeated short windings of the trigger lever. The winding is completed when the lever will no longer move.

At the time of the first film winding after loading the film, there are times when the winding is not completed by one winding of the lever, so keep winding until the lever will no longer move.



Exposure Counter Dial

Each time the film is advanced one exposure, the dial in the exposure counter dial window advances one number to indicate the number of pictures taken. When the back cover is opened, the dial automatically returns to the start mark.

Setting Shutter Speed



The shutter can be set for speeds of **1, 1/2, 1/4, 1/8, 1/15, 1/30, 1/60, 1/125, 1/250, 1/500,** and **1/1000** sec. as well as **X** and **B**. The shutter speed can be set by rotating the shutter dial to the right or to the left until the desired time figure is in line with the index mark.

The numbers on the dial indicate a denominator of fractions of a second. Setting the dial at a point between two figures does not necessarily give a time exactly between them.

X is used for electro-flash (electronic speed light) synchronization, and the shutter speed is 1/60.

Actually, the exposure is equivalent to the short flash time of the electronic speed light used.

B is for bulb exposure. The shutter is kept open as long as the shutter button is kept depressed. **B** is used for exposures of over 1 second. Cable release with lock is recommended for longer exposure.

How to Hold the Canonflex



When photographing, holding the camera properly is most important for taking sharp-focus photographs. Depending on circumstances, the camera is held in the horizontal or vertical positions as shown in the photographs. The composition of the picture is decided and the picture is focused by looking through the focusing glass. The shutter release button is then quietly pressed. At the shutter release time, the following are particularly important.

1. Hold the camera deep within both hands.
 2. Steady the camera by holding it against your cheek or forehead.
 3. In the horizontal position hold both elbows tightly against the body. In the vertical position have at least one elbow tight against the body.
- Pressing the shutter release button roughly will cause camera jerking.
 - Better photographs are obtained through use of tripod and cable release. Care should be specially taken on this point when shooting at speeds of 1/30 sec. or slower.
 - The lens hood prevents harmful light from outside the photographic angle entering the camera and thereby is effective in taking better photographs.

The outer diameter of the Super Canonomatic R 50mm F1.8 lens serves the purpose of a lens hood.



Focusing



The outstanding feature of the Canonflex, which permits photographing of the picture just as it appears on the focusing glass, is, in the case of the RP especially, that focusing is very easy. Also, a very bright focusing system is used.

Consequently, the Canonflex RP fully guarantees satisfactory performance over a wide range of practical applications, which is a feature of the Canonflex, including focusing when using 300mm to 1000mm extra-long-telephoto lenses, microphotography, macrophotography, etc.



Out of focus



In correct focus



There is a 9mm diameter bright circle in the center of the focusing glass with small circles around this center circle. The front (lens side) has a mat surface given special treatment, while the back side (pentaprism) is a Fresnel lens to give it a condenser characteristic. All are made of acryl plastic.

With this focusing glass, the haziness is different in the case of out-of-focus between the Fresnel lens part (within circle) and the outside part (circles around center circle). Consequently, accurate focusing is possible.

Lens Adjustment

The Super Canomatic Lens is provided with an automatic springback aperture pre-set mechanism. The lens aperture on the pre-set aperture ring is normally wide open, but it is closed down to the pre-selected stop automatically when the shutter is released. It springs back instantly and automatically to the wide open position when the shutter operation has been completed. Consequently, focusing can be carried out with the lens aperture at the wide open condition.

1) Mirror begins to snap up as the diaphragm closes down.



2) To pre-selected aperture stop.



3) Mirror and diaphragm return to original position automatically.



Aperture Index Mark

Pre-Set Aperture Ring

Visual Aperture Ring

Focusing Ring

Pre-Set Aperture Ring

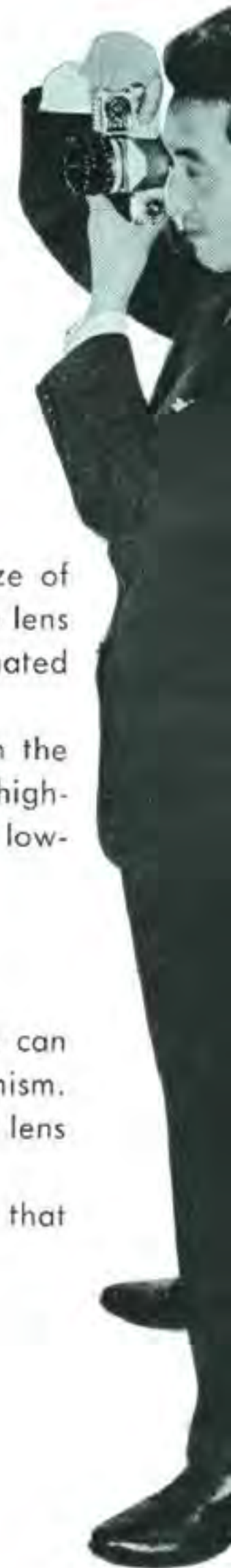
This is the device for automatically adjusting the size of the pre-selected stop. When this ring is turned to a certain lens aperture, the lens aperture is closed down to the designated stop for the moment that the shutter is released.

The closing and opening of the lens aperture through the Super Canomatic device cannot be seen with the eye at high-speed shutters, but they can be seen in the case of B or low-speed shutters.

Visual Aperture Ring

By rotating the visual aperture ring, the lens aperture can be adjusted independently of the aperture pre-set mechanism. By doing this, you can check the focusing surface with the lens aperture closed down.

When using the pre-set aperture ring, make certain that the visual aperture ring is in the wide open position.



The larger the number, the darker the lens. As you go up one stop on the dial, the brightness is cut in half. Consequently, if the lens aperture is made one stop smaller, the exposure time must be doubled, while it must be increased four-fold if the lens aperture is made two stops smaller.

Positions partway between lens aperture stops can be used. Depending on the lenses, there are some which do not have a 2:1 relation between the largest opening and the next aperture.

If the Canon meter is used, deciding the shutter speed and lens aperture becomes very easy.

Lens Aperture	1.2	1.4	1.8	2.0	2.8	(3.5)	4.0	5.6	8.0	11	16	22
Exposure Ratio	0.36	0.5	0.8	1	2	(3)	4	8	16	32	64	128

Linear Aperture Dial

Since the lens aperture dial is so constructed that the adjustment ring's rotation angle is equidistant, easy and accurate adjustment can be carried out even if positions partway between stops are to be used.

Distance Dial

The distance dial indicates the distance between the film surface and the object to be photographed. It is not necessary when focusing is carried out in ordinary photography using the focusing glass.



Note When it is necessary to know accurate depth of field or when infrared photography is carried out, measure the distance of the film plane to subject and then focus on the basis of such measurement.

Depth-of-Field

The depth-of-field indicates the scope within which sharp pictures can be photographed before and behind the point of focus. This can be learned from the picture on the focusing glass, but a more accurate figure can be obtained from the lens depth-of-field scale.

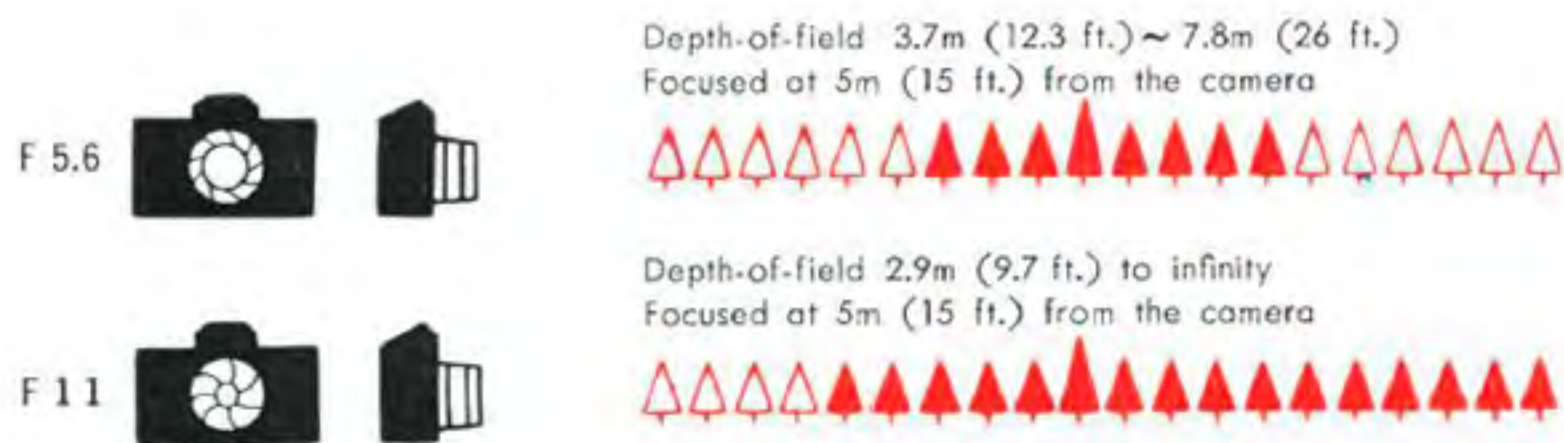
This is related to the distance dial. For instance, when the focus is placed on an object 5m (15 ft) away with a 50mm lens, if a lens aperture of F5.6 is used, the distance between the two 5.6's on the dial or 3.7m (12.3 ft) and 7.8m (26 ft) can be read. Objects between 3.7m (12.3 ft) and 7.8m (26 ft) will be photographed sharply. In the same manner, if the lens aperture is F11, objects between 2.9m (9.7 ft) and 17m (52 ft) can be photographed sharply.

The more the lens aperture is closed down and the farther away the object being photographed, the greater becomes the depth-of-field, while it becomes smaller when the opposite is the case.





• Positions between stops on the shutter dial cannot be used, but the positions between lens aperture stops can be utilized. Consequently, when considering exposure accurately, decide the shutter speed first and then adjust the lens aperture accordingly.



Infrared Mark

When photographing with infrared film, adjustment is required because the focusing position shifts slightly when compared to ordinary photography.

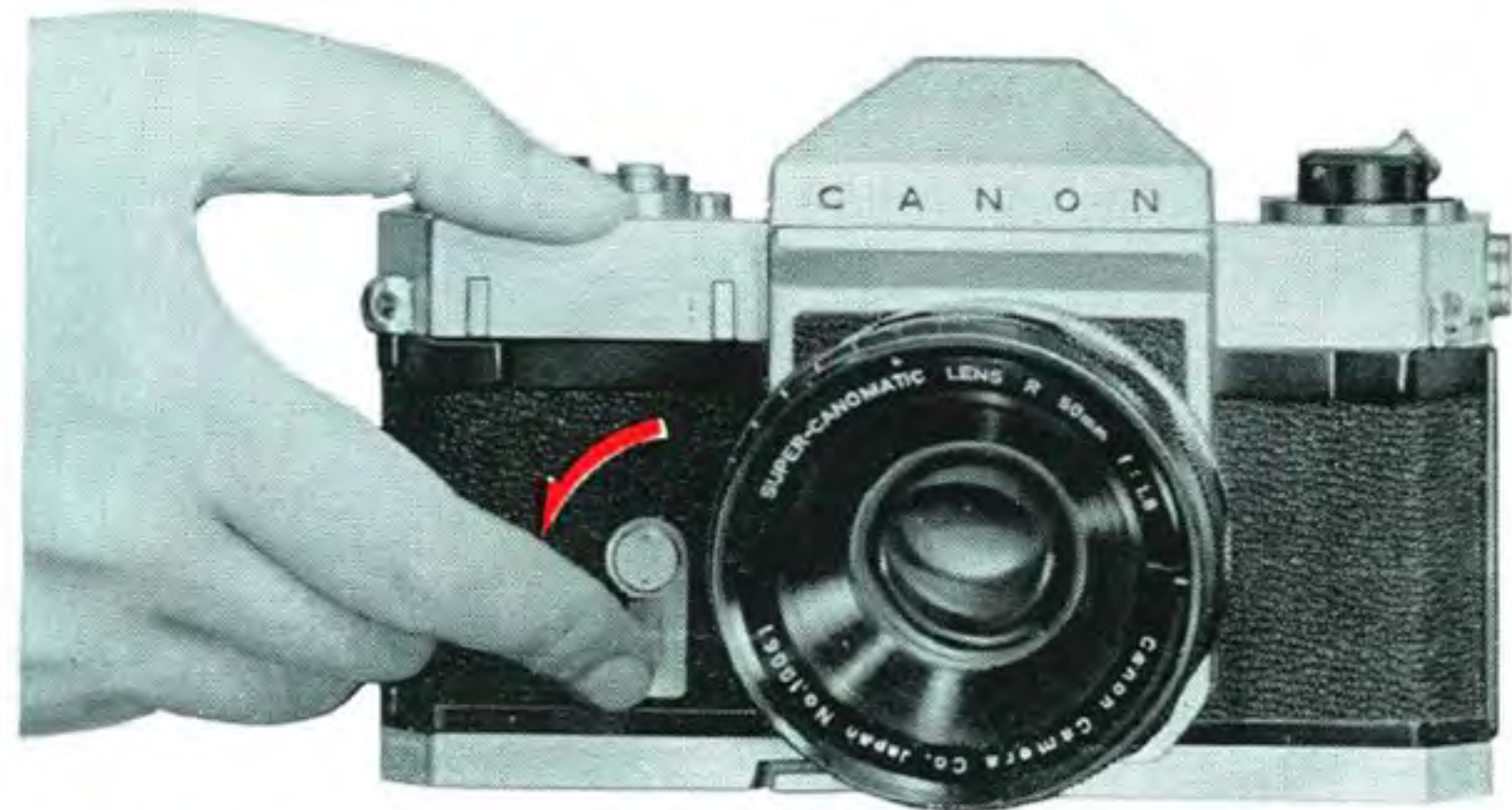
After focusing in the ordinary manner, move the distance number to the infrared mark. For instance, if 15 is the distance number after focusing, move the 15 to the R position. If the distance is ∞ , move ∞ to the R position. If the distance is measured with the eye or with a measuring tape, adjust the distance dial to the infrared mark instead of the distance mark.



The infrared mark is based on a standard use of a filter (for instance, Kodak IR 135 film and Wratten 87 filter) with the highest sensitivity at a frequency of 8000A. When photographing by using a red filter of about Wratten 25 with Plus X or ordinary panchromatic film, it is appropriate to make the adjustment shift volume about 1/3.



Self-Timer



Wind the film as usual, turn down the self-timer and then press the shutter release button. The self-timer operates and releases the shutter after about 10 seconds. The time-lag can be adjusted by the position of the self-timer, but it will not be locked with the shutter unless it is turned down at least two-thirds of the way.

Either can be carried out first, the turning down of the self-timer or the winding of the film and cocking of the shutter.

Note Since the self-timer lever will operate without regard to whether or not the film has been wound, when photographing by using the self-timer, set the self-timer lever after the film has been wound and the shutter has been cocked and then press the shutter release button.

Film Loading

The Canonflex accepts any 35mm film magazine or Canon magazine V.

Raise the opening key on the base plate and then make a half-turn counter-clockwise.



The back cover will then lift up a little, so lift the cover with the fingers.



Slide the end of the film fully into the groove in the spool. While turning the spool bit in the direction of the arrow, engage the teeth on the groove side with the film perforations.

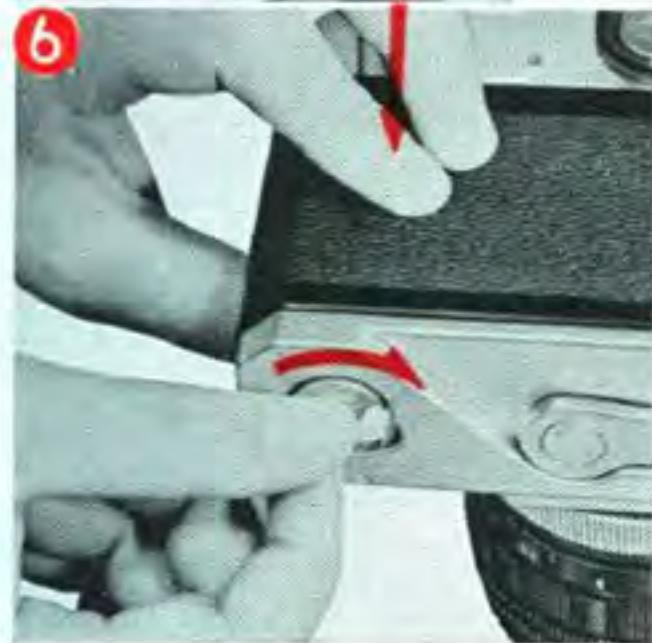


Lift up the rewind crank fully and then insert the magazine or cassette in the camera. Return the rewind crank to its former position.

Unless the opening key in the base plate is not in the open position, the magazine cannot be inserted.



At this time, make the film perforations catch the sprocket teeth completely. If there is any slack in the film, turn the rewind crank clockwise to remove it.



Close the back cover and turn the opening key clockwise while holding down the back cover. Leave the rewind crank turned down.



With the lens cap on, press the shutter release button two times. The exposure counter dial will have returned to the S position when the film is being loaded. After you have taken two pictures with the cap on, the dial will show 0. When the film is wound one stop, preparations have been completed for your first photograph.

Ascertaining Good or Poor Film Loading

Each time the film is wound, the whole rewind crank turns. This will tell you if the film is loaded properly or not, so when winding film, always watch the rewind crank.

If the rewind crank does not turn, it means that the film end has escaped from the spool or that the film perforations are not caught on the sprocket teeth. In such cases, the film must be taken out once according to the film rewind process described on Page 20 and then loaded properly.

Film Type and Film Sensitivity (Speed) Reminders



①

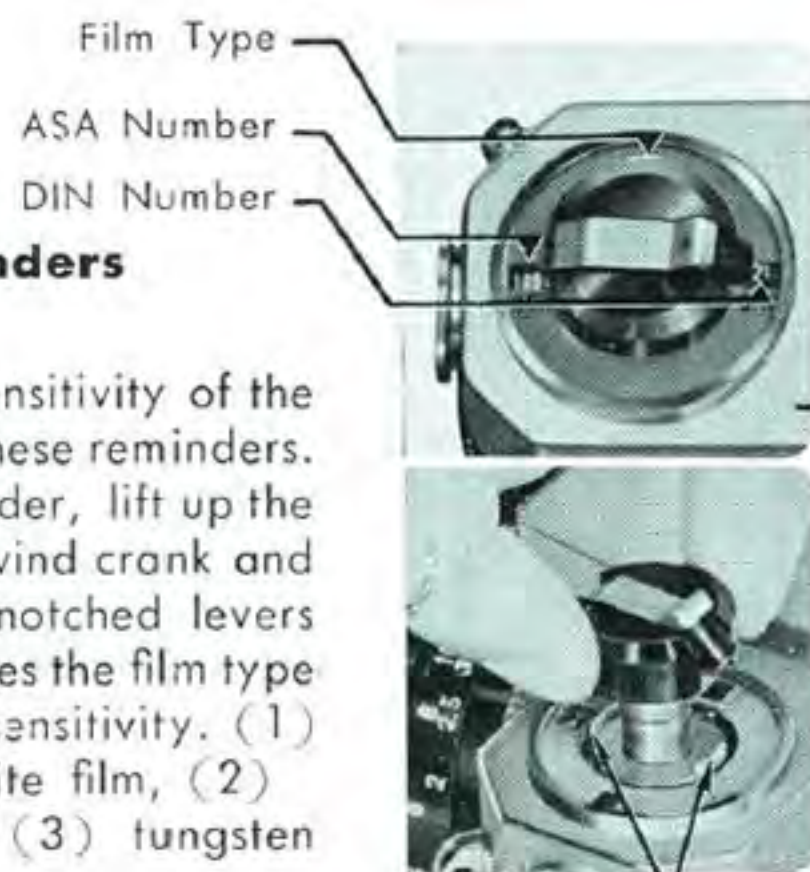


②



③

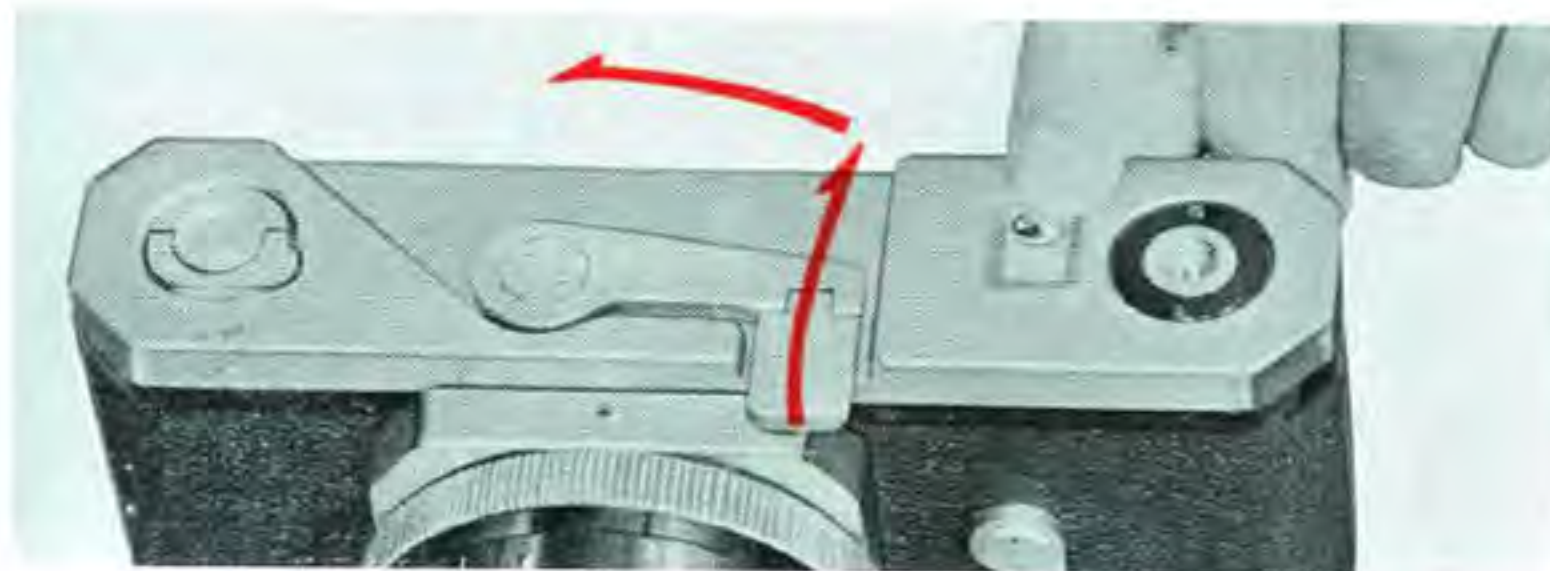
The type and the sensitivity of the film used are shown by these reminders. To change either reminder, lift up the knob surrounding the rewind crank and rotate either of the two notched levers below. One lever changes the film type and the other, the film sensitivity. (1) indicates black and white film, (2) daylight color film and (3) tungsten lamp light color film.



Film Type and Number Changing Levers

Double Exposure

Ordinarily, it is not possible to take a double exposure with the Canonflex. When necessary, however, a double exposure can be taken by first pushing the rewind button and then winding the film with the trigger lever and then pressing the shutter release button. Repeating this process will permit any number of exposures on the same film frame.



Just a reminder

In very cold areas, protect the camera by taking it outside only when necessary for photographing. It is desirable also that photographing be carried out as speedily as possible, in order to insure against any reduction in performance and efficiency.

Even when taking the camera out for photography, gradually permit the camera to hit the cold outside air to prevent clouding of the lens surface through condensation of moisture and consequent inability to photograph.

Film Rewind

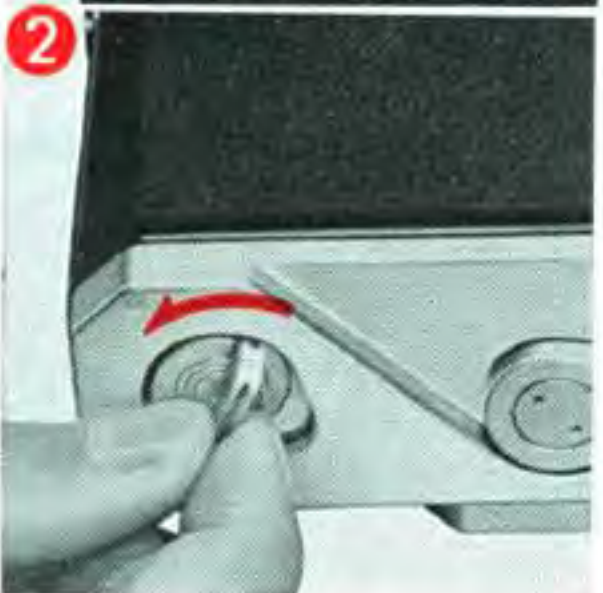
When you are at the end of the roll of film, you will feel tension when you try to advance the film. Stop winding and rewind the film back into the cassette or magazine in the following manner:



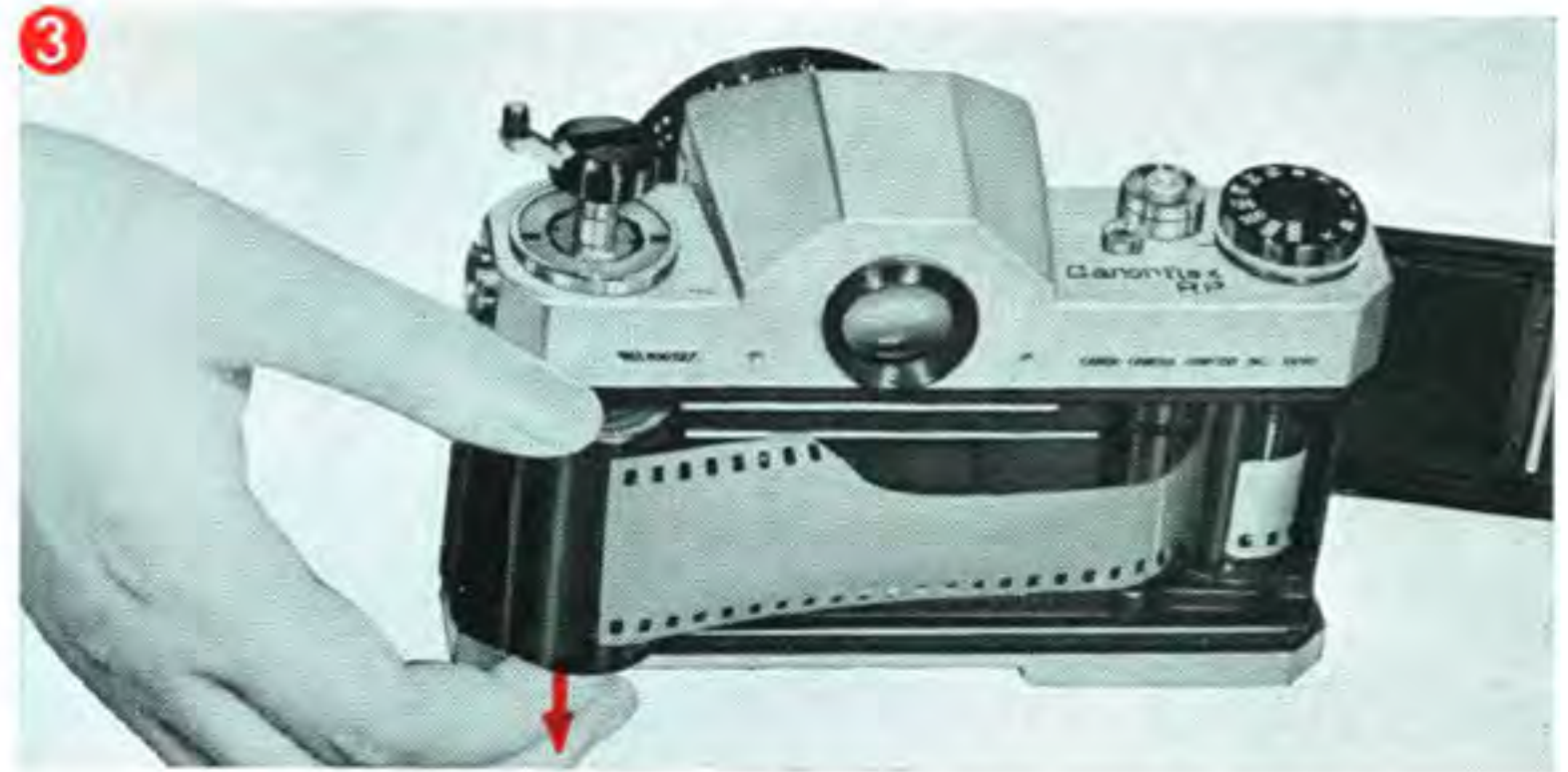
1. Raise the rewind crank, and after pressing the rewind release button on the base plate of the camera, turn the rewind crank in the arrow direction to rewind the film back into the magazine.



When the tension suddenly becomes light while winding, it means you are at the end of the film roll so stop rewinding.



2. Turn the opening key knob counter-clockwise and open the back cover.



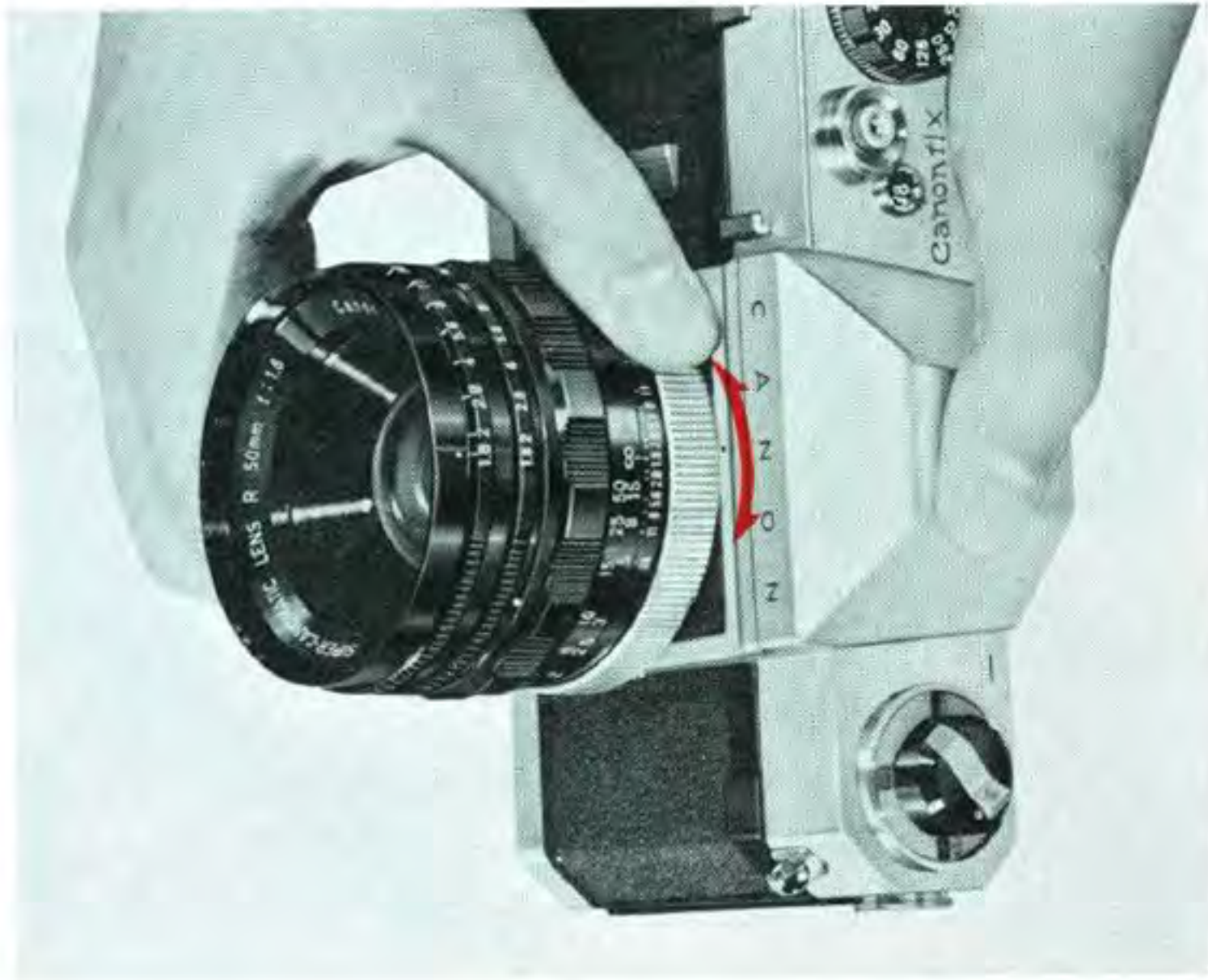
3. After fully pulling out rewind crank, remove the magazine or cassette.

- After once pressing the rewind release button, you can remove your finger. When the trigger lever is wound, this button automatically returns.
- Rewinding can be done anytime before or after shutter is cocked.
- When rewinding, it is desirable to keep the lens cap on.

Note If the film is forcibly wound after all exposures have been completed, it becomes impossible to rewind the film, and the film must be removed in a dark room.



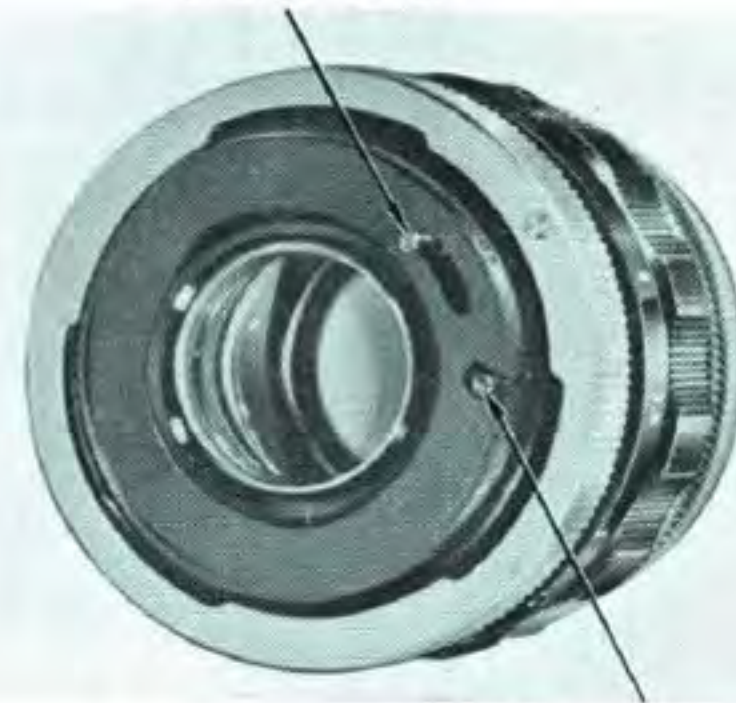
Changing the Lens



To detach the lens from the camera, turn the bayonet tightening ring to the left and then pull the lens out.

Note After the lens has been detached, take care not to touch the mirror with your fingertip. The camera and lens mount should be covered or capped if the camera is to be left for any length of time without the lens.

Super Canomatic System
Charge Lever

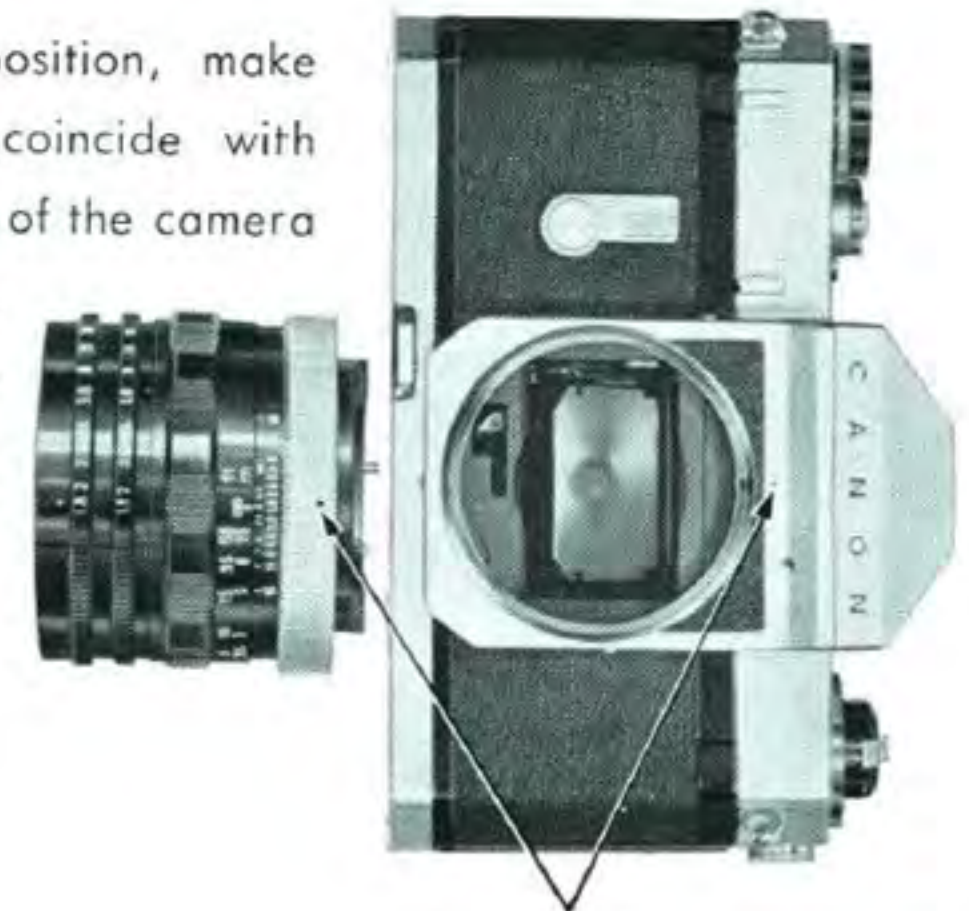


Activating Lever

At the base of the lens are the aperture pre-set charge and the activating levers. When the charge lever is moved and the activating lever is then moved, the aperture can be adjusted.

Charge the charge lever before fitting the lens to the camera. If the lens is fitted to the camera with the aperture pre-set mechanism not charged after the shutter has been cocked, the automatic aperture pre-set mechanism will not work for the first exposure. From the next exposure, of course, the automatic aperture pre-set mechanism will work.

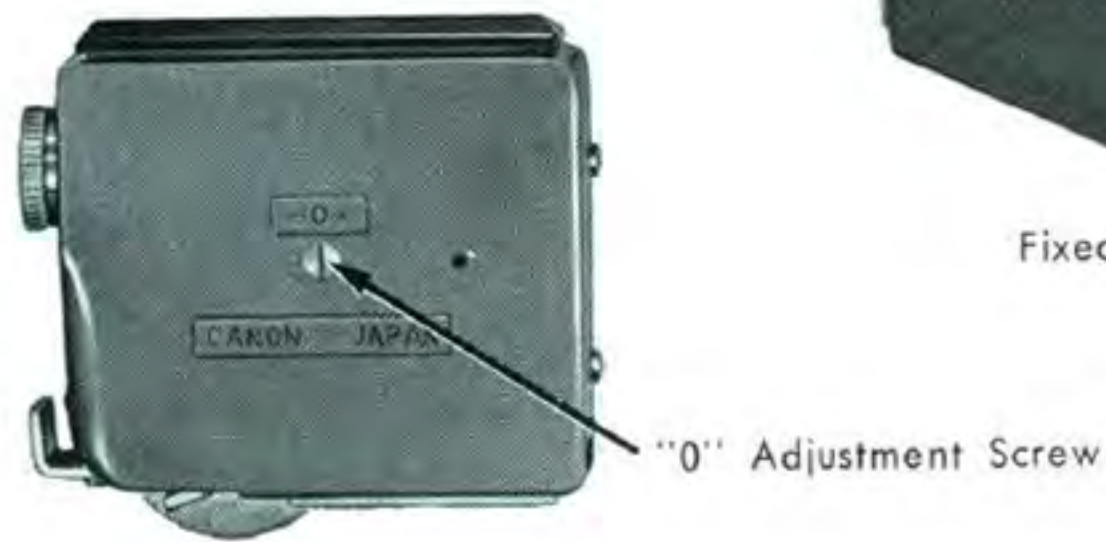
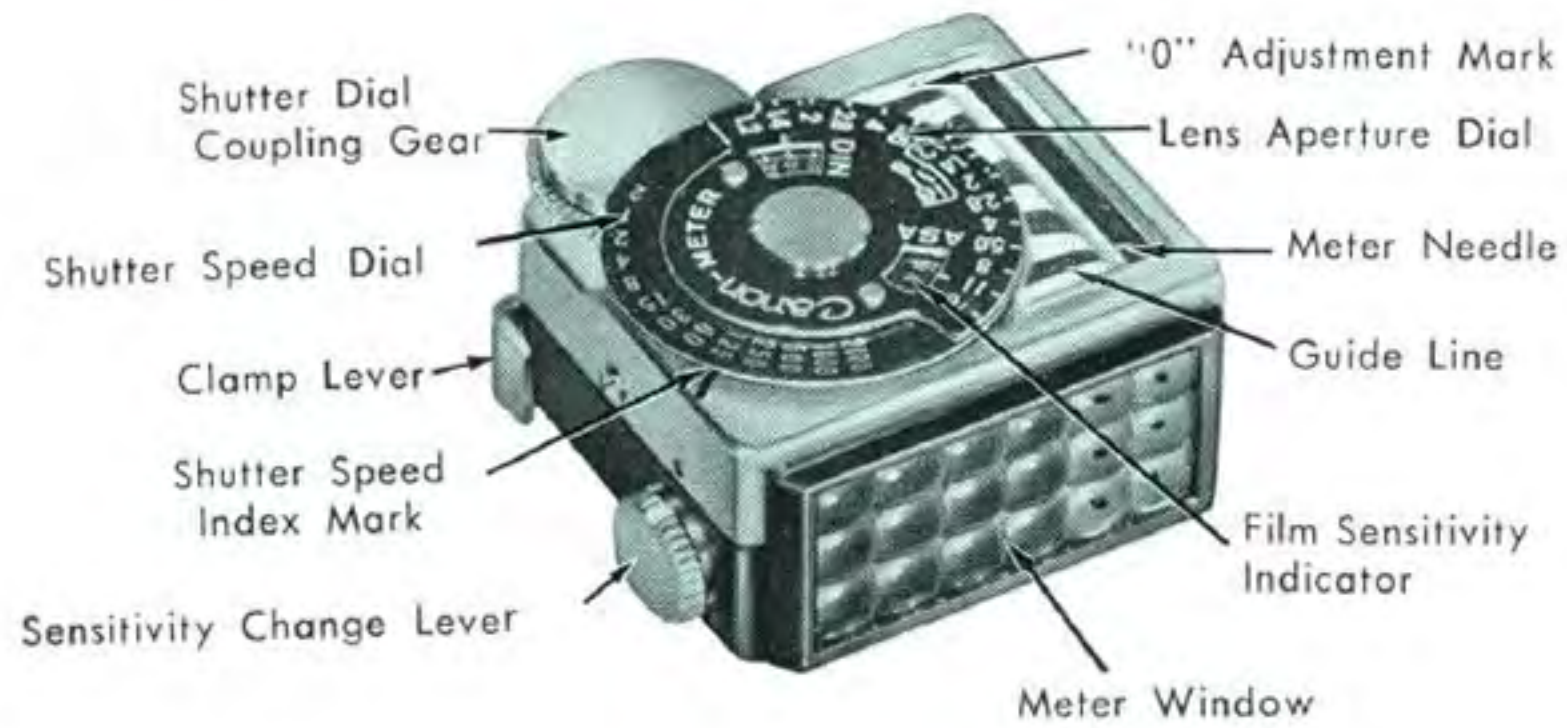
To fit the lens into position, make the red dot of the lens coincide with the red dot on the flange of the camera and then place the lens in position. Turn the bayonet tightening ring clockwise to tighten.



Red Mark

How to Use Canon-Meter R

When the Canon-Meter R is attached to the Canonflex, it is possible to couple the shutter and lens aperture to the appropriate exposure.



Attachment and Removal

1 Adjust the Canon-Meter R shutter dial to the shutter speed of the camera prior to attachment.



2 First, hook the fixed nail on the accessory clip leg on the lens side and then press the Canon-Meter against the camera while pressing the clamp lever. Remove your finger from the clamp lever. The sliding nail will then return to fit into the leg of the accessory clip and fix the meter to the camera.

At the same time the coupling gear will be properly interlocked with the shutter dial. At this time, check to see that the speed marks on both dials coincide and that the shutter dial can be rotated smoothly.

To remove, just pressing the clamp lever will permit removal of the Canon-Meter.



Exposure Setting

1 Use the film sensitivity dial to adjust to the sensitivity of the film used. In order to do this, hold the shutter dial down so it will not move and then turn the sensitivity indicator by using the two protuberances on the meter dial surface.



2 Face the camera at the object to be photographed. Turn the shutter speed dial to match it with the pre-set aperture reading.

As for the white and orange indexes of the pre-set aperture readings, refer to the sensitivity change chapter.

In this manner, the shutter dial is automatically set to the correct exposure.

The following method can also be used:

1. Decide the shutter speed first and then set the shutter dial of the camera.
2. Face the camera at the object to be photographed, read the lens aperture indicated by the meter needle and then set lens aperture according to this reading.

• Further, under the first method, if the shutter dial indicates a point between two stops, set to the nearest click stop. At this time, if the lens aperture stop indicated by the meter needle is read and the lens aperture is adjusted to this reading, the exposure will be most accurate.

Changing the Sensitivity of the Meter

When the light is so bright that it causes the needle to scale out or when the photo subject is too dark to give sufficient impulse to the needle, the sensitivity of the light meter is changed by rotating the sensitivity knob on the side of the meter.

If the knob's white line is upward, indicating low sensitivity (for bright objects), the aperture must be taken off the white scale on the meter indicator dial. If the orange mark on the knob is upward, indicating the need for high sensitivity (for dark objects), the aperture reading must be read off the orange scale on the meter indicator dial.



Use of Incident Light Attachment

When the incident light attachment is attached to the meter window, it can be used for backlight photography. In this case, the meter is faced toward the light source together with the camera and the exposure is determined.

In order to attach the incident light attachment, fit the attachment from above into the groove on the side of the window and press downward.

- A With incident light attachment
- B Without incident light attachment



Flash Synchronization

If the Canon Flash Unit V is directly fitted into the flash unit connector socket, synchroflash photography can be carried out at the various shutter speeds given in the table below. The Canon Speedlight V (electro flash) can be used in the same manner.

The time lag of the flash is automatically adjusted when the shutter dial is set.

The lens hood is necessary when photographing with flash.

Synchronization Speed	1000	500	250	125	60	30	15	8	4	2	1	B	X
FP Bulb	○	○	○	○	○	X	○	○	○	○	○	○	X
M Bulb	X	X	○	○	○	X	○	○	○	○	○	○	X
Bulb	X	X	X	X	X	○	○	○	○	○	○	○	X
Speedlight	X	X	X	X	X	○	○	○	○	○	○	○	○

○ Synchronized X Not synchronized



The shutter speed for "X" is approximately 1/60 sec.

When using ultra-small flash bulbs, use shutter speeds slower than 1/15 sec. With M bulbs, use shutter speeds slower than 1/125 sec.

For speedlight flash, turn the shutter speed dial to "X."

Canon Interchangeable Lenses For Canonflex

Canon lenses are held in the highest esteem by professionals and discerning amateurs the world over for their unmatched performance in black and white or color, unique optical design, precision engineering, and Canon-exclusive Spectra-Coating (T.M). Canon pioneered development of high-speed lenses...opening up a new lane in photographic versatility to many serious photographers.

Every Canon lens is thoroughly tested to insure the highest resolution, contrast, brilliance, and color fidelity. Fully-automatic, Super Canonmatic Lenses are provided for Canonflex (50mm F1.8 standard lens and 100mm F2, the most versatile long-focus lens). Interchangeable lenses for Canonflex extend the range to as long as 1000mm F11...11 lenses in all (please refer to the specification chart). The Super Canonmatic Lenses have fully-automatic spring-back diaphragm. As the shutter is released, the diaphragm is closed down to the pre-selected aperture stop, and returns to full-opening viewing instantly...thus, you'll view with full brightness at all times.



SPECIFICATIONS FOR CANONFLEX LENSES

TYPE	Angle of View	Magnification	Number of Elements	Net Weight		Aperture (F Stops) Click Stops down to	Attachment Size Series	Focusing Range		Coating
				(oz.)	(gm.)			in Feet	in Meters	
Wide-Angle Super Canonmatic Lens R 35mm F2.5	64°	0.7X	7	9	322	16	58mm	1.5-10-∞	0.4-5-∞	Magenta
Normal-Focus Super Canonmatic Lens R 50mm F1.8	46°	1.0X	6	11	305	16	58mm	2-50-∞	0.6-15-∞	Amber
Long-Focus Super Canonmatic Lens R 85mm F1.8	29°	1.7X	5	1.0lbs.	470	16	58mm	3.5-60-∞	1-20-∞	Magenta
Canon Lens R 85mm F1.9	29°	1.7X	6	12.5	355	22	48mm	3.5-100-∞	1-50-∞	Amber
Telephoto Super Canonmatic Lens R 100mm F2	24°	2.0X	6	1.1lbs.	515	16	58mm	3.5-60-∞	1-20-∞	Amber
& R 135mm F2.5	18°	2.7X	6	1.4lbs.	630	16	58mm	5-100-∞	1.5-30-∞	Magenta
Canon Lens R 135mm F3.5	18°	2.7X	4	15	438	22	48mm	5-100-∞	1.5-30-∞	"
Long-Telephoto Canonmatic Lens R 200mm F3.5	12°	4.0X	7	1.5lbs.	670	22	58mm	8-150-∞	2.5-50-∞	Magenta
Extra-Long-Telephoto R 300mm F4	8°	6.0X	5	2.6lbs.	1180	22	Special	No Distance Scale		Magenta
R 400mm F4.5	6°	8.0X	5	3.3lbs.	1500	22	"	"		"
R 600mm F5.6	4°	12.0X	2	4lbs.	1830	32	"	"		Purple
R 800mm F8	3°	16.0X	2	4.2lbs.	1920	32	"	"		"
R 1000mm F11	2.4°	20.0X	2	4lbs.	1830	32	"	"		"

Note: The weight of lenses over 200mm is net (lens alone) and does not include lens supporter, intermediate tube, and bellows R.

Photo Aids For Canonflex

The new Canonflex RP is a high quality camera designed to meet any photographic situation. It is not meant for merely taking snap shots—carefree picture taking without having the fear of parallax error. For this reason Canon provides a number of photographic aids to further the versatilities of the camera itself. All photo aids for RP can be used on Canonflex R2000 as well.

Canon Filters...

Canon filters are made of solid, specially selected optical glass, polished optically flat and coated hard on both surfaces...free from strain, unaffected by light or moisture. The Canon filters are



designed and produced to match the high quality standard of the world-famed Canon lenses. They are of screw-in type and are available in 3 sizes... 40mm, 48mm, and 58mm in diameter.

For Black and White:

- UV Ultra Violet
- Y1 Light Yellow
- Y3 Yellow
- O1 Orange
- R1 Red
- G1 Green

For Color:

- CCA Color Conversion A
- CCB Color Conversion B
- SKY Skylight
- ND4 Neutral Density (x4)
- ND8 Neutral Density (x8)

Bellows R for Photomicrography, Photomicrography, Close-ups, etc...

The Bellows R is a versatile photo aid designed for use with Canonflex RP as well as other Canon single-lens reflex cameras. It is used for close-ups, copy work, photomicrography, photomicrography. It is used also for focusing telephoto lenses. Rack-and-pinion mechanism of Bellows R assures you of the highest precision performance.

Camera Holder R2...

The holder has tripod bush on two sides, enabling you to set your Canonflex RP in normal and inverted positions.



Photo Aids For Canon Lenses

Focusing Adapter RA...

Rangefinder type camera—VI-L, VI-T, P—lenses with focal lengths of 85mm, 100mm, and 135mm can be used with your Canonflex RP with a Focusing Adapter RA.

Canon Close-up Lenses 450 and 240...

For simple close-up work. Simply screw into the Super Canonomatic Lens R 50mm F 1.8 standard lens.

450 (R1) has focusing range from 55cm to 33cm (22"—13"). 240 (R2) has focusing range from 33cm to 26cm (13"—10").

Other Photo Aids...

Copy Stand R...

Designed for easy copy work with Canonflex RP. The unit consists of baseboard, stanchion and arm. The unit is used in combination with camera holder R2 and the close-up lens.

With baseboard and with a subject-to-camera distance of 60cm, or about 24" an area of full-page LIFE magazine can be covered.

Without the baseboard, about the size of newspaper (full-page) can be taken. See the preceding chart for specifications.

Microphoto Unit...

Photomicrography is done with microphoto unit in combination with the copy stand. By use of Bellows R, you will obtain even greater magnification than you normally obtain in photomicrography. The unit couples to ocular tube of any standard microscope with an outside diameter of from 24.7 to 25.2mm. When attaching to the camera body, Lens Mount Converter A must be used.



Photography Order



1. Remove the lens cap.



2. Wind the film.



3. Decide the shutter speed and lens aperture with the aid of the Canon-Meter.



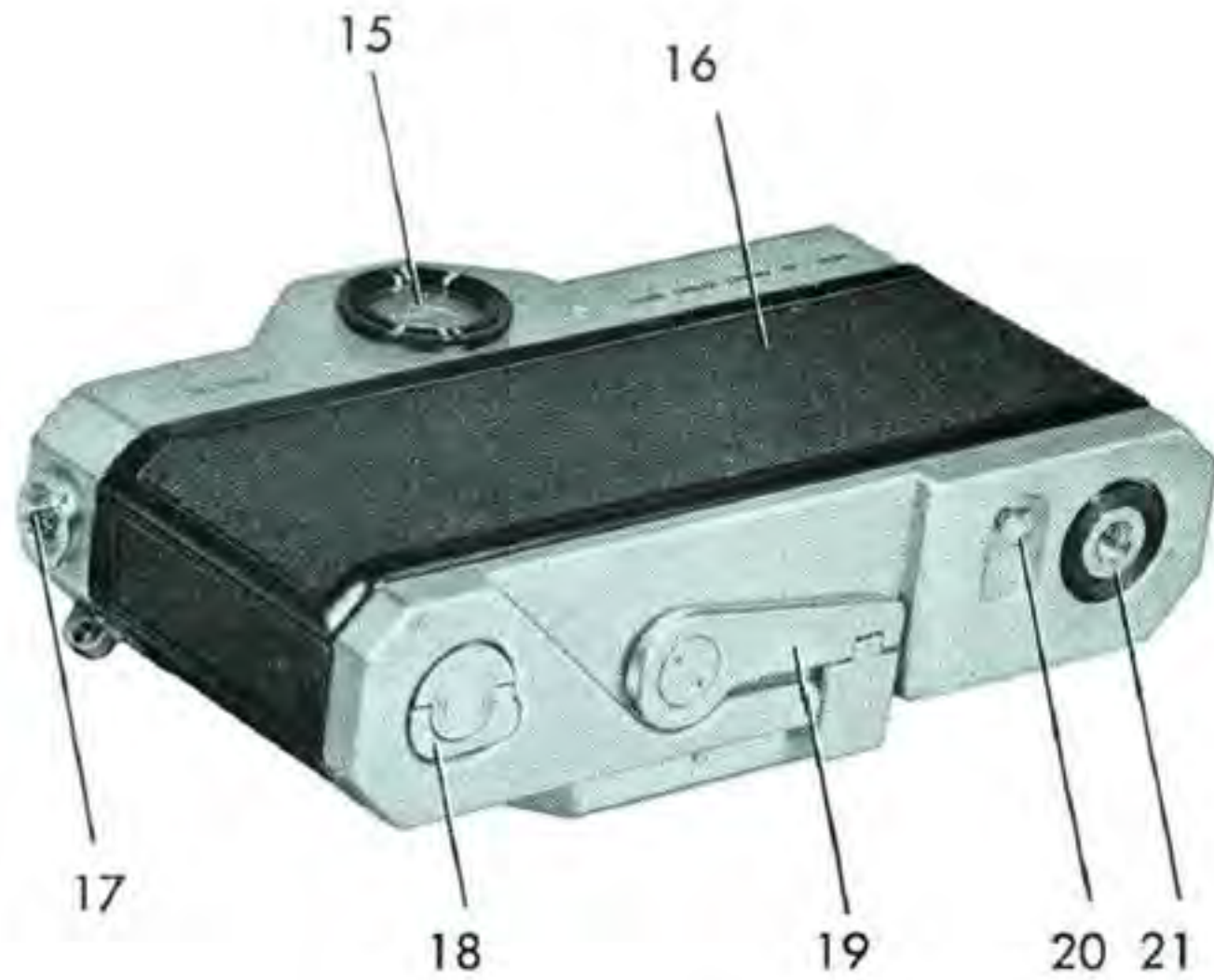
4. Focus to the subject.



5. Decide the composition.



6. Press the shutter release button.



- | | |
|-----------------------------|---------------------------|
| 15. Back Cover Opening Knob | 18. Back Cover |
| 16. Eye-Level Finder Window | 19. Rewind Release Button |
| 17. Trigger Lever | 20. Tripod Socket |

Maintenance and Cleaning of Camera

Maintenance of Camera

Moisture and dust are bad for the camera. If the camera is stored for a long time, stains and rust may develop. It is safest to take out the camera once in a while for photographing and for letting it out into fresh air.

If the camera is not to be used for a long time, silica gel or other desiccant should be placed alongside the camera. When storing, remove the camera from the case.

Cleaning the Camera

Dust tends to stick to cameras used outdoors. When the camera is used on a rainy day or at the beach, raindrops and salt adhere to the camera although you are not aware of the fact. The moisture and salt can be the cause of stains, rust and lens corrosion.

Use a soft brush to brush away dust and a dry, soft cloth to carefully wipe the camera. It is best to avoid touching the lens. Use a rubber ball-equipped blower to blow away dust or a soft brush to lightly brush the lens surface.

When it cannot be avoided, wind a soft, completely washed piece of clean cloth around a rod, wet the end with a very small amount of alcohol (best to mix a little ether) and then wipe the lens from the center outwards in a spiral direction. Wiping with *strength* or with dust attached will result in scratching the lens surface so care must be taken on this point.

Take special care not to touch the mirror.